

Product Catalogue
Vertical Formwork

FS econo-form



FS form-scaff

Formwork & Scaffolding
Solutions

We are
WACO



Form-Scaff is South Africa's leading supplier of formwork, falsework and scaffolding to the construction and civil engineering industries. Form-Scaff not only manufactures, hires and sells world-class products, but also provides the design skills, technical advice and support that comes with having 50 years experience and more than 30 branches locally and internationally.

We are Waco International

Form-Scaff is part of Waco International, a focused equipment rental and industrial services business with operations in Africa (South Africa and other sub-Saharan African countries), Australasia (Australia and New Zealand) and the United Kingdom.

The Group provides services in the areas of formwork, shoring and scaffolding, insulation, painting and blasting, hydraulics and suspended access platforms, relocatable modular buildings, portable sanitation products and integrated hygiene services.

Disclaimer:

Copyright in this catalogue vests in Form-Scaff, a division of Waco Africa (Proprietary) Limited ("Form-Scaff") and extends inter alia, to the making of copies in whole or in part without the prior written consent of Form-Scaff.

While every effort has been made to ensure the accuracy of the information in this catalogue, we cannot accept responsibility for any errors which may occur as a result of reliance on the contents of this catalogue and are not liable for any loss of any nature that may be incurred as a result of such reliance. Details of any of the products may change without prior notice.

The customer must ensure that 'good practice' is adopted on site by competent persons and that the products shown in this catalogue are erected, used and stripped in accordance with the relevant Codes of Practice and the OHS Act and Regulations 85 of 1993. This catalogue does not contain any design detail but lists and depicts the items available under this product range. The responsibility for design is the responsibility of the customer.

Note: The colours used in this document are for illustrative purposes only and may differ on actual products

Contents

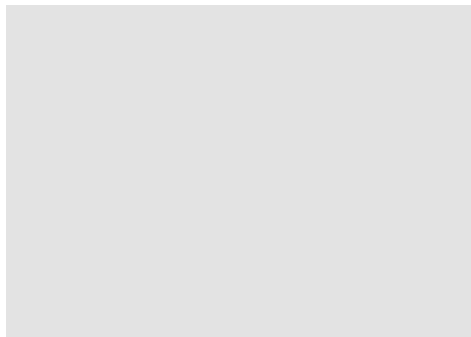
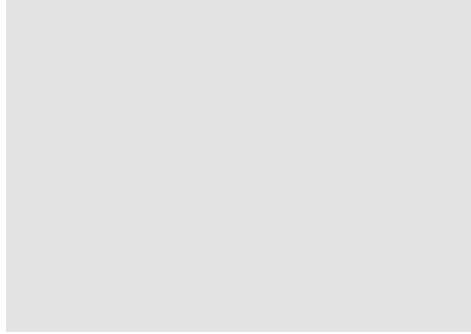


econo-form

- Page 2** Econo-Form Overview
- Page 3** General Assembly
- Page 4** Panels
- Page 5** Channels & Fillers
- Page 6** Tube & Fittings
- Page 8** Corners
- Page 9** Push-Pull Props
- Page 10** Flex-Forms
- Page 11** Ties - Ferrule Type
- Page 12** Ties - Form Type
- Page 13** Ties - Dywidag Type
- Page 14** Ties - Water-Bar Type
- Page 15** Ties - Coil Type
- Page 17** Extractors
- Page 18** Climbing
- Page 22** Lifting
- Page 23** Fixings

Contact Details

- Page 25** Head Office & Branches





Econo-Form Walls

Form-Scaff has been manufacturing and supplying the Econo-Form system to contractors for over 40 years. The system has proven itself to be a versatile formwork solution that can be used to form vertical, inclined, horizontal and curved concrete surfaces.

System Features

- Quick and easy to assemble and strip.
- Individual components are lightweight and easy to manhandle.
- Soldiers and walers may be attached to provide large gang-formed units.
- Tie holes at a 300mm spacing allows alternative tie locations.
- The punched periphery provides abundant locations for attachments.
- A large variety of panel shapes and sizes are available.



General Assembly



Panels

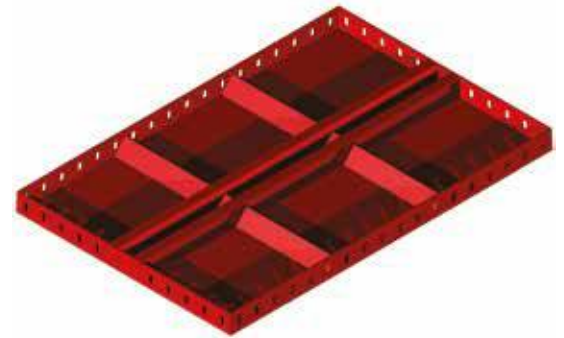
Econo-Form Panels

Econo-Form Panels are fabricated with a 3mm steel faceplate with punched slotted holes at 50mm centres in the periphery. 18mm diameter tie holes are at 300mm centres along the centre line of the panel.

CODE	DESCRIPTION	MASS(kg)
2705001	ECONO-FORM PANEL 3000 X 600	84.7*
2705003	ECONO-FORM PANEL 3000 X 450	69.4*
2705005	ECONO-FORM PANEL 3000 X 300	44.5
2705101	ECONO-FORM PANEL 3000 X 230	35.6
2705007	ECONO-FORM PANEL 3000 X 150	26.8
2705008	ECONO-FORM PANEL 2700 X 600	76.3*
2705010	ECONO-FORM PANEL 2700 X 450	62.5*
2705012	ECONO-FORM PANEL 2700 X 300	40.1
2705102	ECONO-FORM PANEL 2700 X 230	32.1
2705014	ECONO-FORM PANEL 2700 X 150	24.2
2705015	ECONO-FORM PANEL 2400 X 600	67.9*
2705017	ECONO-FORM PANEL 2400 X 450	55.6*
2705019	ECONO-FORM PANEL 2400 X 300	35.8
2705103	ECONO-FORM PANEL 2400 X 230	28.7
2705021	ECONO-FORM PANEL 2400 X 150	21.6
2705022	ECONO-FORM PANEL 2100 X 600	59.5*
2705024	ECONO-FORM PANEL 2100 X 450	48.7*
2705026	ECONO-FORM PANEL 2100 X 300	31.4
2705104	ECONO-FORM PANEL 2100 X 230	25.1
2705028	ECONO-FORM PANEL 2100 X 150	18.9
2705029	ECONO-FORM PANEL 1800 X 600	51.0*
2705031	ECONO-FORM PANEL 1800 X 450	41.8*
2705033	ECONO-FORM PANEL 1800 X 300	27.1
2705105	ECONO-FORM PANEL 1800 X 230	21.6
2705035	ECONO-FORM PANEL 1800 X 150	16.3
2705036	ECONO-FORM PANEL 1500 X 600	42.6*
2705038	ECONO-FORM PANEL 1500 X 450	34.9*
2705040	ECONO-FORM PANEL 1500 X 300	22.7
2705106	ECONO-FORM PANEL 1500 X 230	18.1
2705042	ECONO-FORM PANEL 1500 X 150	13.6
2705043	ECONO-FORM PANEL 1200 X 600	34.2*
2705045	ECONO-FORM PANEL 1200 X 450	28.0*
2705047	ECONO-FORM PANEL 1200 X 300	18.3
2705107	ECONO-FORM PANEL 1200 X 230	14.6
2705049	ECONO-FORM PANEL 1200 X 150	11.0
2705050	ECONO-FORM PANEL 900 X 600	25.7
2705052	ECONO-FORM PANEL 900 X 450	21.0
2705054	ECONO-FORM PANEL 900 X 300	14.0
2705108	ECONO-FORM PANEL 900 X 230	11.1
2705056	ECONO-FORM PANEL 900 X 150	8.4

* Denotes Extra Stiffener to be added to all 600 and 450 Panels so they are stiffened at 300 centres.

Note: Other sizes available upon request.



Plastic Buttons

Plastic Buttons are used to plug any unused tie holes.

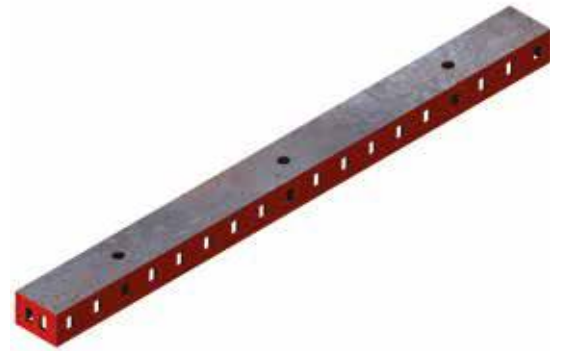
CODE	DESCRIPTION	MASS(kg)
2960810	BUTTON 25MM DIA	0.01
2960808	BUTTON 21MM DIA	0.01
2960811	BUTTON 18MM DIA	0.01
2960809	BUTTON 16MM DIA	0.01



Econo-Form Channels

Econo-Form Channels can either be used as small panels or as light soldiers to tie through when using the Flex-Form Panels.

CODE	DESCRIPTION	MASS(kg)
2706141	ECONO-FORM CHANNEL 3000 X 100	20.9
2706142	ECONO-FORM CHANNEL 3000 X 75	18.0
2706143	ECONO-FORM CHANNEL 2700 X 100	18.9
2706144	ECONO-FORM CHANNEL 2700 X 75	16.2
2706145	ECONO-FORM CHANNEL 2400 X 100	16.8
2706146	ECONO-FORM CHANNEL 2400 X 75	14.5
2706147	ECONO-FORM CHANNEL 2100 X 100	14.7
2706148	ECONO-FORM CHANNEL 2100 X 75	12.7
2706149	ECONO-FORM CHANNEL 1800 X 100	12.7
2706150	ECONO-FORM CHANNEL 1800 X 75	10.9
2706151	ECONO-FORM CHANNEL 1500 X 100	10.6
2706152	ECONO-FORM CHANNEL 1500 X 75	9.1
2706153	ECONO-FORM CHANNEL 1200 X 100	8.5
2706154	ECONO-FORM CHANNEL 1200 X 75	7.3
2706155	ECONO-FORM CHANNEL 900 X 100	6.5
2706156	ECONO-FORM CHANNEL 900 X 75	5.6



Econo-Form Filler Panels

The Econo-Form Filler facilitates the closing of gaps of up to 180mm between panels. It is simply placed between the two adjacent panels and fixed with B or C Clamps to the supporting Waler.

CODE	DESCRIPTION	MASS(kg)
2711511	ECONO-FORM FILLER PANEL 3000 X 200	15.2
2711512	ECONO-FORM FILLER PANEL 2700 X 200	13.7
2711513	ECONO-FORM FILLER PANEL 2400 X 200	12.2
2711514	ECONO-FORM FILLER PANEL 2100 X 200	10.7
2711515	ECONO-FORM FILLER PANEL 1800 X 200	10.2
2711516	ECONO-FORM FILLER PANEL 1500 X 200	7.6
2711517	ECONO-FORM FILLER PANEL 1200 X 200	6.1
2711518	ECONO-FORM FILLER PANEL 900 X 200	4.6



Ef-Ti Panels

Ef-Ti Panels are used to join Econo-Form Panels to Tifa /Tifa-Lite Panels.

CODE	DESCRIPTION	MASS(kg)
5110122	EF-TI PANEL 2700 X 150	32.9
5110208	EF-TI PANEL 1500 X 150	18.8
5110121	EF-TI PANEL 1200 X 150	15.3
5110120	EF-TI PANEL 900 X 150	11.8



Tube & Fittings

Wedge Sets

Wedge Sets are used to join two Econo-Form Panels or Flex-Form Panels together.

CODE	DESCRIPTION	MASS(kg)
2715555	KEY (HD)	0.1
2715556	WEDGE CURVED (HD)	0.1
2715552	WEDGE BENT CLIP	0.1
2715553	WEDGE ONLY (STRAIGHT)	0.1



Scaffold Tubes and Channel Walers

Scaffold Tubes and Channel Walers are placed behind the Econo-Form Panels to align the panels.

CODE	DESCRIPTION	MASS(kg)
1905151	SCAFFOLD TUBE 6100	22.7
1905098	SCAFFOLD TUBE 5500	20.5
1905097	SCAFFOLD TUBE 5000	18.6
1905096	SCAFFOLD TUBE 4500	16.7
1905095	SCAFFOLD TUBE 4000	14.9
1905094	SCAFFOLD TUBE 3500	13.0
1905093	SCAFFOLD TUBE 3000	11.2
1905092	SCAFFOLD TUBE 2500	9.3
1905091	SCAFFOLD TUBE 2000	7.4
1905090	SCAFFOLD TUBE 1500	5.6
1905089	SCAFFOLD TUBE 1000	3.7
1905088	SCAFFOLD TUBE 500	1.9
5405113	CHANNEL WALER 6000	60.6



B-Clamps and C-Clamps

B-Clamps are used to connect Scaffold Tubes to the flanges of the Econo-Form Panels. C-Clamps are used to connect 100mm x 50mm Channels to the flanges of the Econo-Form Panels.

CODE	DESCRIPTION	MASS(kg)
2710501	B-CLAMP (FOR TUBULAR WALER)	0.8
2710502	C-CLAMP (FOR CHANNEL WALER)	1.0



Tube Waler Prop Connecting Brackets

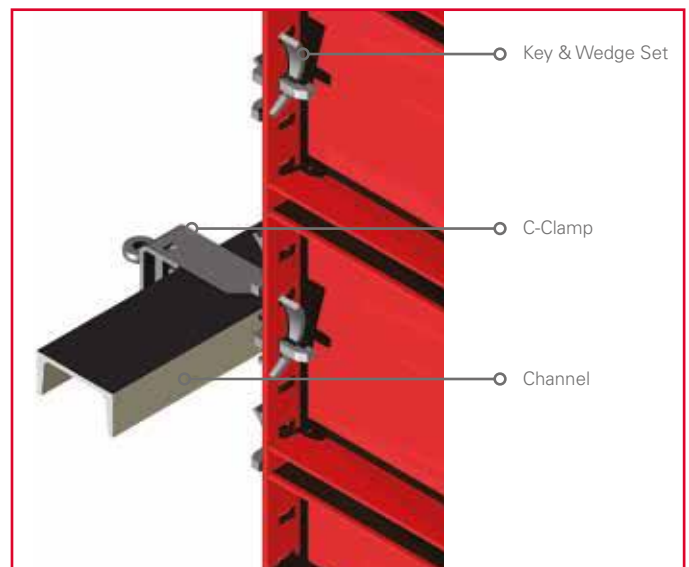
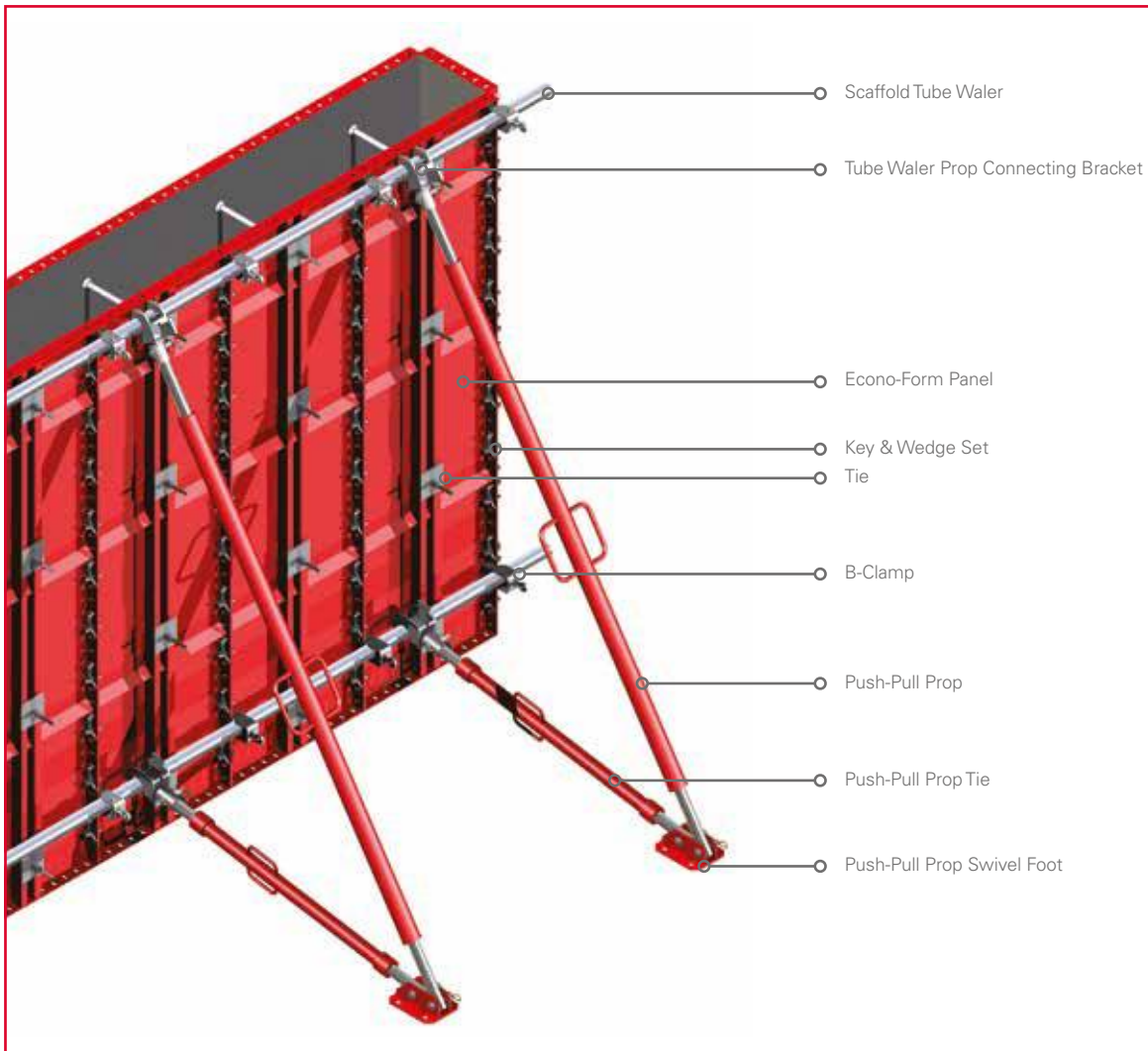
Tube Waler Prop Connecting Brackets are used to connect the Push-Pull Props to the Scaffold Tube Walers.

CODE	DESCRIPTION	MASS(kg)
5405301	TUBE WALER PROP CONNECTING BRACKET (38MM)	2.4
5405302	TUBE WALER PROP CONNECTING BRACKET (50MM)	2.5





Application - Fittings

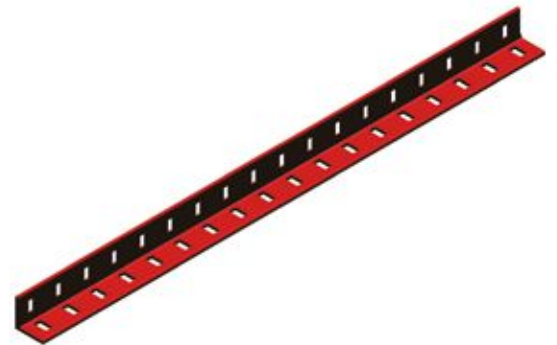


Corners

External Corner Angles

External Corner Angles are used to align and secure standard panels on outside corners at a 90° angle.

CODE	DESCRIPTION	MASS(kg)
2720608	EXT CNR ANGLE 3000 X 50 X 50	11.3
2720607	EXT CNR ANGLE 2700 X 50 X 50	10.2
2720606	EXT CNR ANGLE 2400 X 50 X 50	9.1
2720605	EXT CNR ANGLE 2100 X 50 X 50	7.9
2720604	EXT CNR ANGLE 1800 X 50 X 50	6.8
2720603	EXT CNR ANGLE 1500 X 50 X 50	5.7
2720602	EXT CNR ANGLE 1200 X 50 X 50	4.5
2720601	EXT CNR ANGLE 900 X 50 X 50	3.4
2720611	EXT CNR ANGLE 600 X 50 X 50	2.3



Internal Corner Panels

Internal Corner Panels are used to align and secure standard panels on inside corners at a 90° angle.

CODE	DESCRIPTION	MASS(kg)
2707205	INT CNR PANEL 3000 X 150 X 150	38.0
2707210	INT CNR PANEL 2700 X 150 X 150	34.2
2707215	INT CNR PANEL 2400 X 150 X 150	30.4
2707220	INT CNR PANEL 2100 X 150 X 150	26.7
2707225	INT CNR PANEL 1800 X 150 X 150	22.9
2707230	INT CNR PANEL 1500 X 150 X 150	19.1
2707235	INT CNR PANEL 1200 X 150 X 150	15.3
2707240	INT CNR PANEL 900 X 150 X 150	11.6



Internal & External Splay Panels

Splay Panels are used to connect standard Econo-Form Panels together at an angle of 135°.

CODE	DESCRIPTION	MASS(kg)
3375730	EXTERNAL SPLAY 1200 X 200 X 100	16.1
3375731	EXTERNAL SPLAY 900 X 200 X 100	12.2
3370728	INTERNAL SPLAY 3000 X 200 X 100	38.5
3370725	INTERNAL SPLAY 1200 X 200 X 100	15.6
3370726	INTERNAL SPLAY 900 X 200 X 100	11.8



Push-Pull Props

Push-Pull Props and Push-Pull Prop Ties are used to plumb the column boxes.

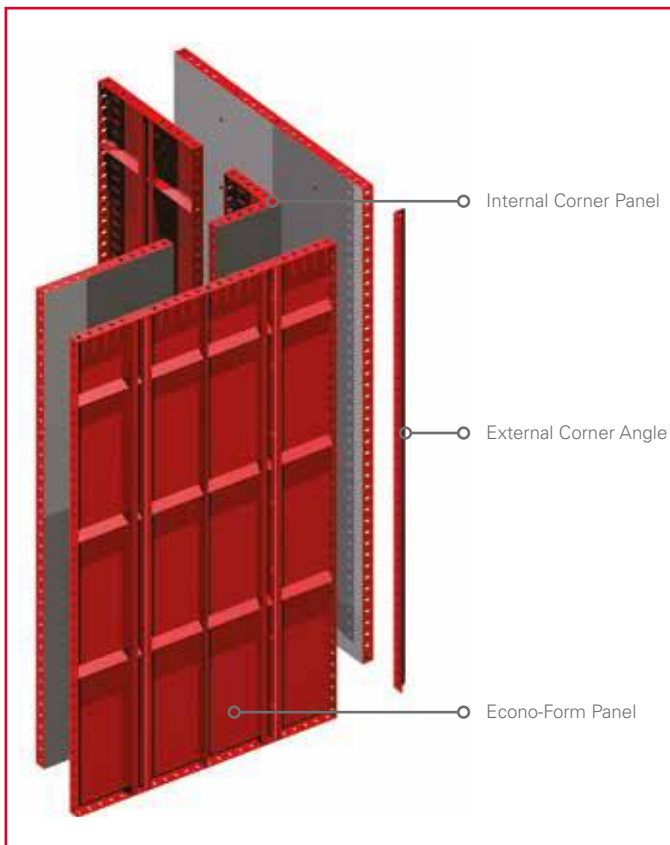
The Push-Pull Prop Swivel Foot is used at the base of the Push-Pull Props and Prop Ties to connect the ends of the Props together.

Connecting Pins 16 x 90 complete with R-Clips 70 x 3 are used to connect a Prop to the Column Box and to the Swivel Foot.



CODE	DESCRIPTION	MASS(kg)
5110100	PUSH-PULL PROPTIE	15.7
5110022	PUSH-PULL PROP 5700	71.4
5110201	PUSH-PULL PROP 4200	34.2
5110024	PUSH-PULL PROP 3100	23.5
5110007	PUSH-PULL PROP 2500	20.8
5110008	PUSH-PULL PROP SWIVEL FOOT 200 X 150	3.5
5110021	PUSH-PULL PROP SWIVEL FOOT 300 X 250	8.0
5110090	CONNECTING PIN 16 X 90	0.2
5110059	R-CLIP 70 X 3	0.01

Application - Corners

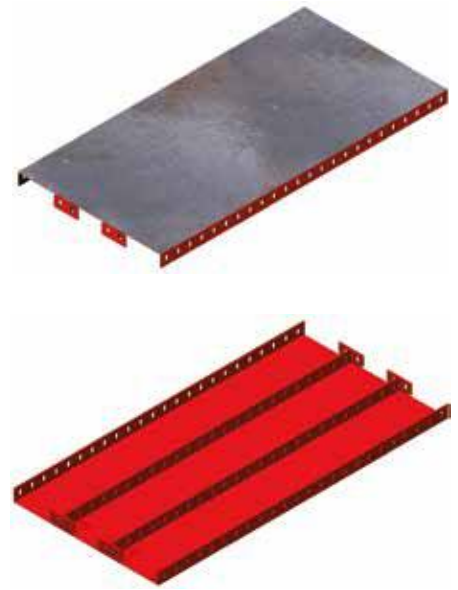


Flex-Forms

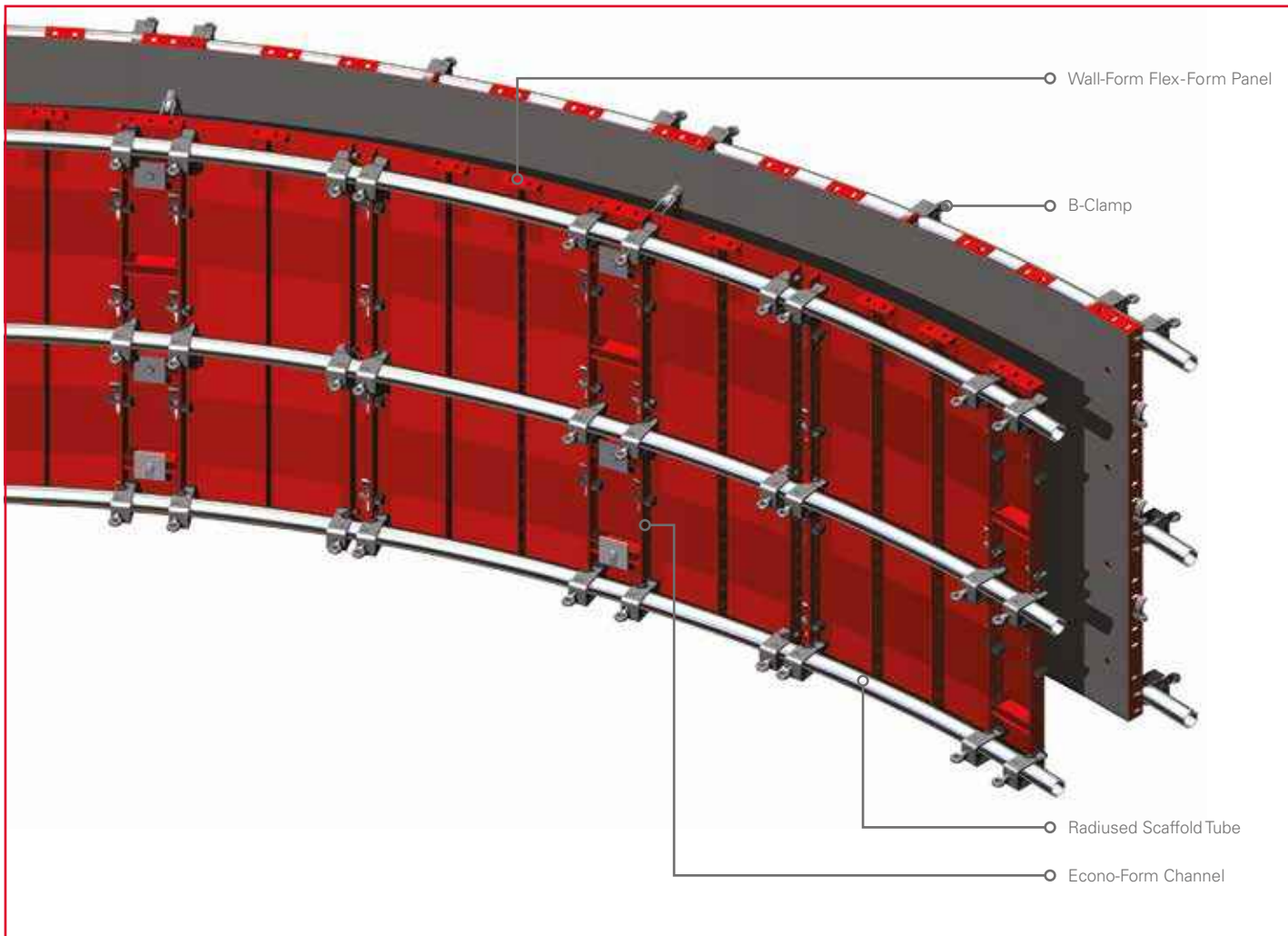
Wall-Form Flex-Form Panels

Flex-Form Panels are used to create curved or radiused concrete walls or beams. They are held in shape by radiused Scaffold Tubes with ties installed through Econo-Form Channels adjacent to the Flex-Form Panels.

CODE	DESCRIPTION	MASS(kg)
3355007	WALL-FORM FLEX-FORM 3000 X 600	51.6
3355008	WALL-FORM FLEX-FORM 3000 X 450	43.9
3355009	WALL-FORM FLEX-FORM 3000 X 300	30.7
3355004	WALL-FORM FLEX-FORM 1800 X 600	30.9
3355005	WALL-FORM FLEX-FORM 1800 X 450	26.2
3355006	WALL-FORM FLEX-FORM 1800 X 300	18.3
3355707	WALL-FORM FLEX-FORM 1500 X 600	25.8
3355708	WALL-FORM FLEX-FORM 1500 X 450	21.9
3355701	WALL-FORM FLEX-FORM 1200 X 600	20.8
3355702	WALL-FORM FLEX-FORM 1200 X 450	17.7
3355704	WALL-FORM FLEX-FORM 900 X 600	15.7
3355705	WALL-FORM FLEX-FORM 900 X 450	13.4



Application - Circular Walls



PVC Ferrule Tubes

PVC Ferrule Tubes are used with any recoverable tie system. The tie is fed through the PVC Tube that stays behind in the concrete.

CODE	DESCRIPTION	MASS(kg)
5405083	PVC FERRULE TUBE 24 ID & 27 OD	0.04
2960806	PVC FERRULE TUBE 22 ID & 25 OD	0.04
2960805	PVC FERRULE TUBE 17 ID & 19 OD	0.04



PVC Ferrule Tube Cones

The PVC Ferrule Tube Cone is placed on either end of the PVC Ferrule Tube and is removed after the concrete has been poured. The hole can then be plugged if necessary.

CODE	DESCRIPTION	MASS(kg)
5405084	PVC FERRULE TUBE CONE 24 OD	0.01
2960813	PVC FERRULE TUBE CONE 22 OD	0.01
2960815	PVC FERRULE TUBE CONE 17 OD	0.01



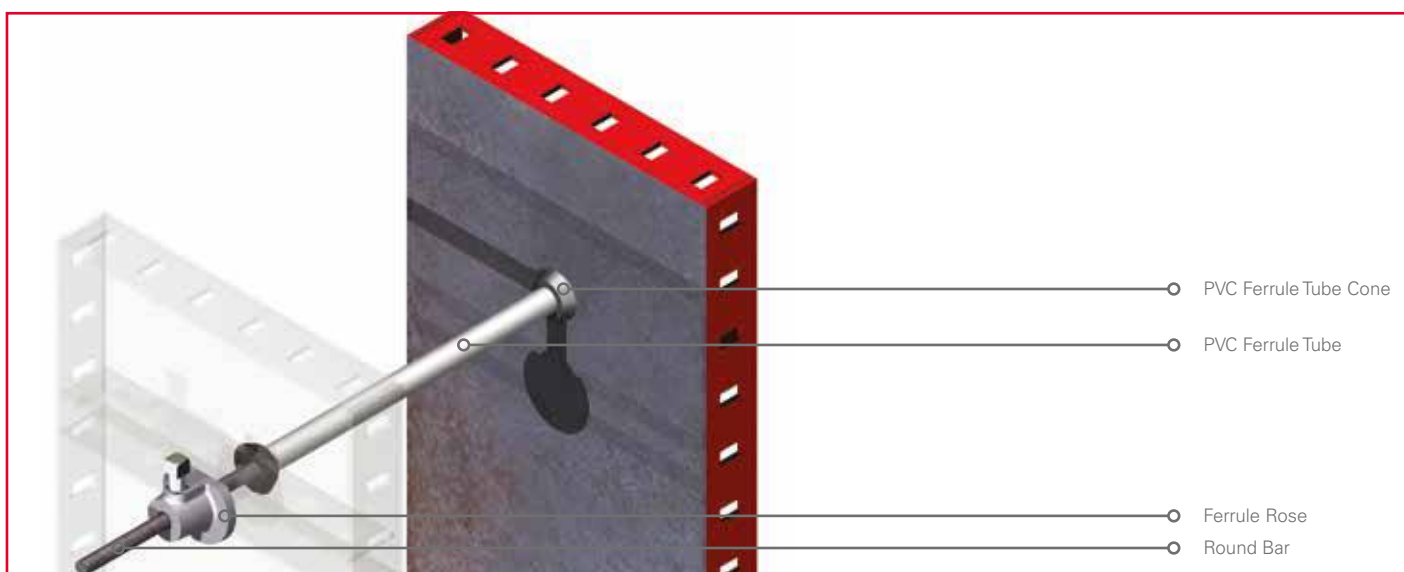
Ferrule Roses

Ferrule Roses are used when steel round bars or reinforcing bars are used for the tie. The Ferrule Rose is secured to the steel tie by tightening the grubscrew.

CODE	DESCRIPTION	MASS(kg)
2960803	FERRULE ROSE 12DIA (C/W GRUB)	0.4
2960804	FERRULE JACK	2.5



Application - Ferrule Ties



Ties - Form Type

Form-Tie Bar

Form-Ties are recoverable ties used through PVC Ferrule Tubes.

CODE	DESCRIPTION	MASS(kg)
5405061	FORM-TIE BAR F16 (PER M)	1.6
5405072	FORM-TIE BAR F12 (PER M)	0.8



Form-Tie Nut

Form-Tie Nuts are used each end of the Form-Tie.

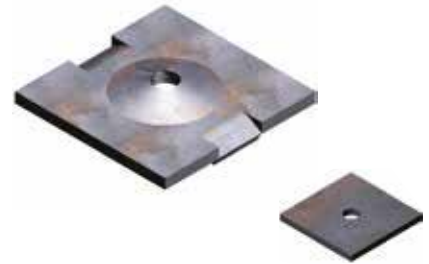
CODE	DESCRIPTION	MASS(kg)
5405062	FORM-TIE NUT F16	0.2
5405073	FORM-TIE NUT F12	0.2



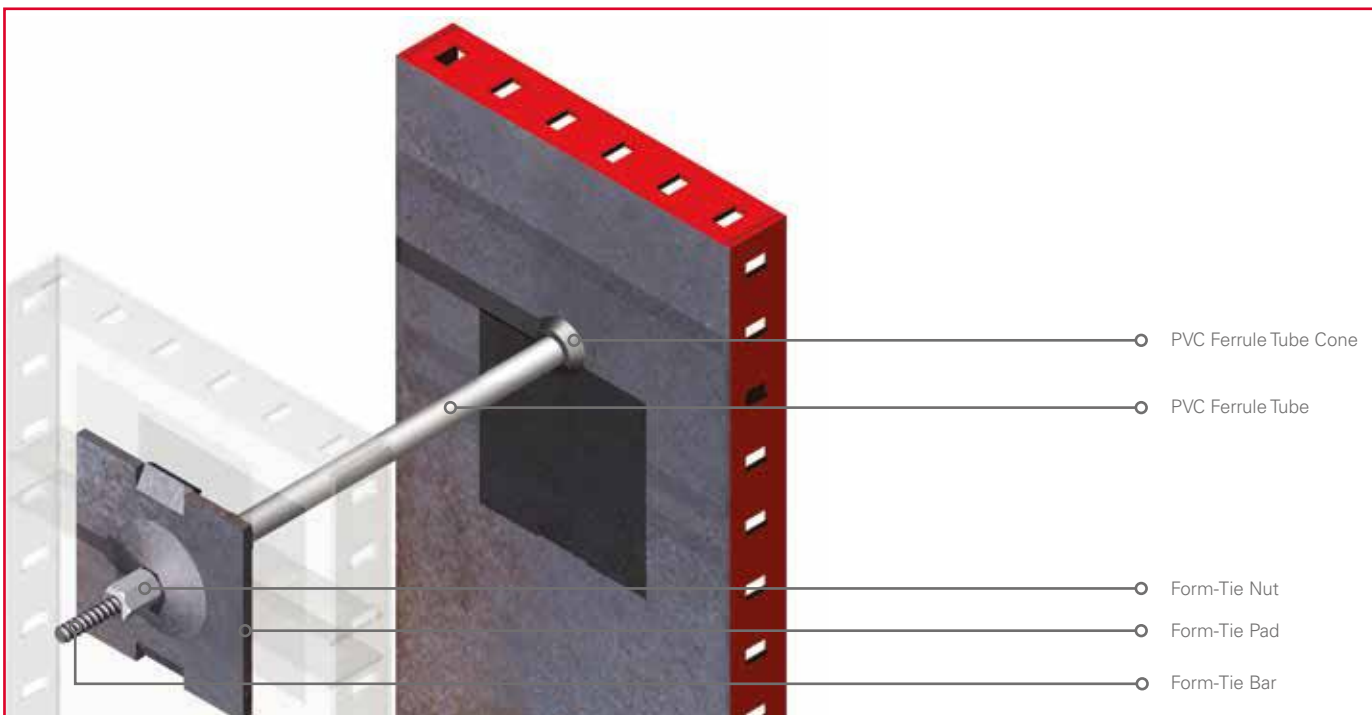
Form-Tie Pad

The Form-Tie Pad and washer 100 x 100 sits between the Form-Tie Nut and the Panel.

CODE	DESCRIPTION	MASS(kg)
5405064	FORM-TIE PAD FOR F16 FORMTIE	1.4
5110035	WASHER 100 X 100 X 6	0.5



Application - Form-Ties



Dywidag Tie Bar

Dywidag Ties are recoverable ties used through tie sleeves.



CODE	DESCRIPTION	MASS(kg)
5405095	DYWIDAG BAR 15MM 6000	8.7
5405094	DYWIDAG BAR 15MM 5500	8.0
5405093	DYWIDAG BAR 15MM 5000	7.2
5405092	DYWIDAG BAR 15MM 4500	6.5
5405089	DYWIDAG BAR 15MM 4000	5.8
5405088	DYWIDAG BAR 15MM 3500	5.1
5405087	DYWIDAG BAR 15MM 3000	4.3
5405086	DYWIDAG BAR 15MM 2500	3.6
5405085	DYWIDAG BAR 15MM 2000	2.9
5405079	DYWIDAG BAR 15MM 1500	2.2
5405078	DYWIDAG BAR 15MM 1000	1.5
5405077	DYWIDAG BAR 15MM 500	0.7

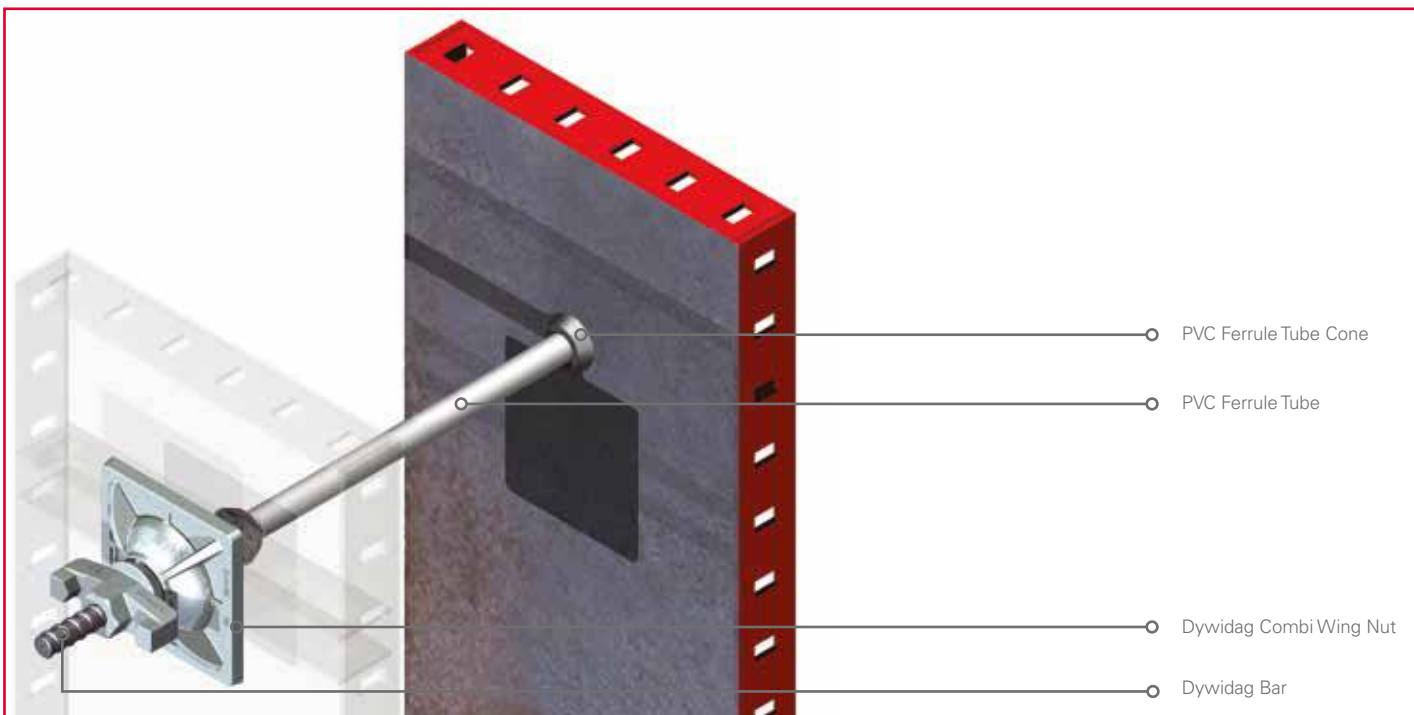
Dywidag Combi Wing Nuts

The Dywidag Combi Wing Nut is used with the 15mm Dywidag Bar.



CODE	DESCRIPTION	MASS(kg)
5110150	DYWIDAG COMBI WING NUT	1.2

Application - Dywidag Ties



Ties - Water-Bar Type

Water-Bar Casting

The Water-Bar Casting is used to prevent water passing from one concrete face to the other. The 15mm Dywidag Bars are removed with the Dywidag Spanner.



CODE	DESCRIPTION	MASS(kg)
5821100	WATER-BAR CASTING 15MM	0.7
5821101	WATER-BAR REDUCER 25 ID TO 22 ID	0.1

Cones & Bolts

Steel Cones are used with non-recoverable ties. The threaded bar stays behind and the steel cone is recovered by means of an extractor tool.



CODE	DESCRIPTION	MASS(kg)
5410013	STEEL CONE M24 / F16	0.8
5410050	STEEL CONE M24 / DYWIDAG 15MM	0.9
5410051	STEEL CONE DYWIDAG	1.0
2966028	SET SCREW M24 X 75	0.3

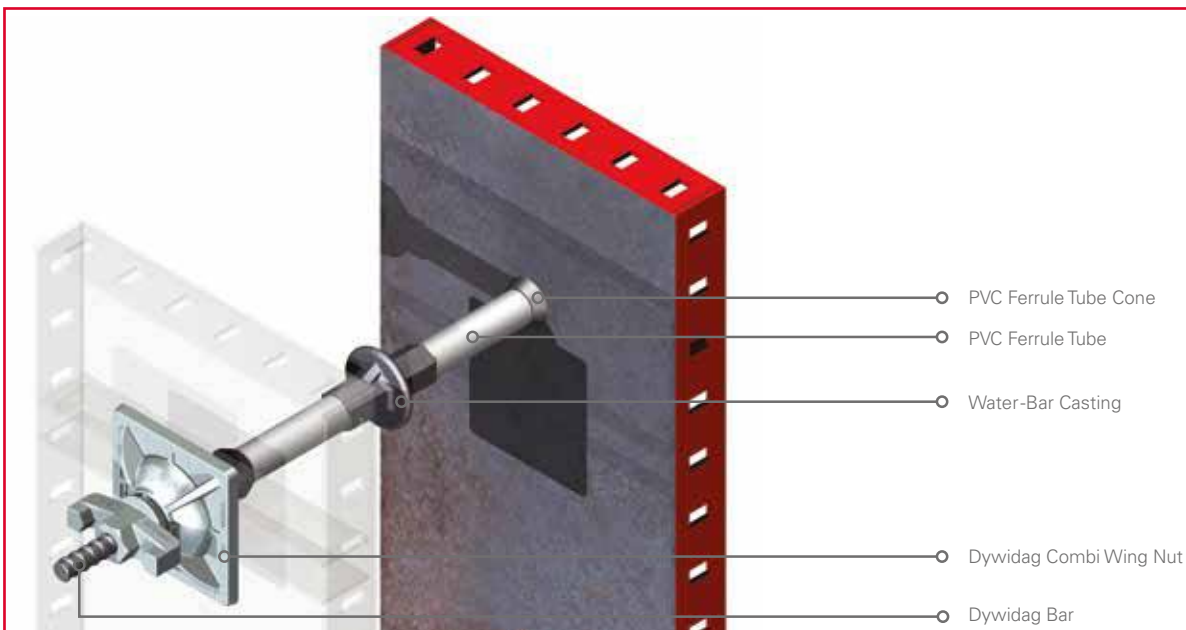
Extractor Tools

Extractor Tools are used to remove the Steel Cones from the concrete. The Dywidag Spanner 15mm is used to hold the tie bar when tightening or loosening the nuts.



CODE	DESCRIPTION	MASS(kg)
2965906	ANCHOR SCREW EXTRACTOR TOOL M24	2.2
5405098	DYWIDAG SPANNER 15MM	1.1

Application - Water Bar Ties



Coil Ties

Coil Ties are used to tie panels on opposite sides of a concrete wall together.

CODE	DESCRIPTION	MASS(kg)
5821019	COIL TIE EXTENDED 12 X 525	0.5
5821017	COIL TIE EXTENDED 12 X 475	0.4
5821015	COIL TIE EXTENDED 12 X 425	0.4
5821013	COIL TIE EXTENDED 12 X 375	0.4
5821011	COIL TIE EXTENDED 12 X 325	0.3
5821009	COIL TIE EXTENDED 12 X 275	0.3
5821007	COIL TIE EXTENDED 12 X 225	0.3
5821005	COIL TIE EXTENDED 12 X 175	0.2
5821003	COIL TIE EXTENDED 12 X 125	0.2
5821001	COIL TIE EXTENDED 12 X 75	0.2



Coil Ties (With Water Bar)

Coil Ties are used to provide a water tight seal within the concrete.

CODE	DESCRIPTION	MASS(kg)
5822019	COIL TIE EXT 12 X 525 (WATER-BAR)	0.5
5822017	COIL TIE EXT 12 X 475 (WATER-BAR)	0.5
5822015	COIL TIE EXT 12 X 425 (WATER-BAR)	0.4
5822013	COIL TIE EXT 12 X 375 (WATER-BAR)	0.4
5822011	COIL TIE EXT 12 X 325 (WATER-BAR)	0.4
5822009	COIL TIE EXT 12 X 275 (WATER-BAR)	0.3
5822007	COIL TIE EXT 12 X 225 (WATER-BAR)	0.3
5822005	COIL TIE EXT 12 X 175 (WATER-BAR)	0.3
5822003	COIL TIE EXT 12 X 125 (WATER-BAR)	0.2
5822001	COIL TIE EXT 12 X 75 (WATER-BAR)	0.2



Coil Loops

Coil Loops are cast into the concrete to provide an anchorage point.

CODE	DESCRIPTION	MASS(kg)
5810053	COIL LOOP 20 X 300	0.3
5810052	COIL LOOP 20 X 225	0.2
5810051	COIL LOOP 20 X 150	0.2
5805004	COIL LOOP 12 X 300	0.2
5805003	COIL LOOP 12 X 225	0.2
5805002	COIL LOOP 12 X 150	0.1
5805001	COIL LOOP 12 X 100	0.1



Coil Extension Cones

Coil Extension Cones are used to create a flush joint between the end of the Tie and the panel face.

CODE	DESCRIPTION	MASS(kg)
5870631	COIL EXT CONE M12 X 38 (SQUARE)	0.02



Coil Washers Round

Coil Washers Rounds are used to seat the Coil Extension Cone in position.

CODE	DESCRIPTION	MASS(kg)
5870633	COIL WASHER ROUND 0.5MM	0.01
5870634	COIL WASHER ROUND 1MM	0.01



Coil Tie Bolts

Secures the Econo-Form Panel to the Tie.

CODE	DESCRIPTION	MASS(kg)
5845404	COIL TIE BOLT 12 X 125	0.1
5845405	COIL TIE BOLT 12 X 150	0.1



Coil Washers

Provides a stable bearing surface for the Coil Tie Bolt.

CODE	DESCRIPTION	MASS(kg)
5860611	COIL WASHER 100 X 100 X 6	0.5
5855602	COIL WASHER 80 X 80 X 6	0.3
5855601	COIL WASHER 50 X 50 X 6	0.1



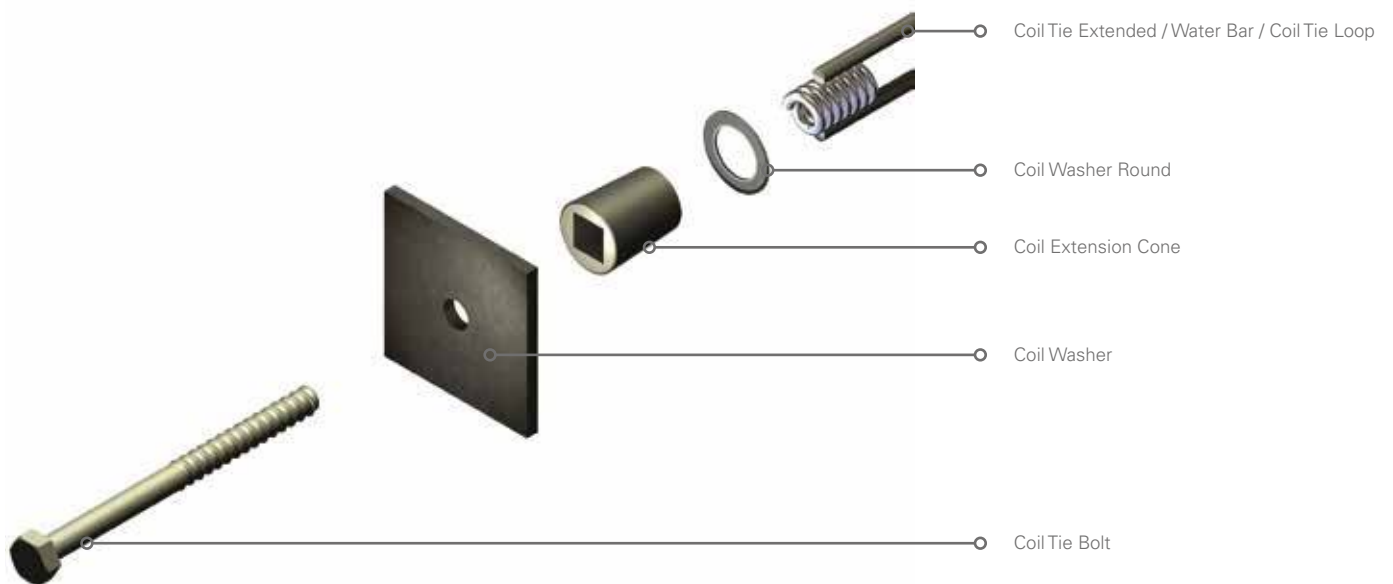
Coil Cone Combination Extractors

The Coil Cone Extractor tool is used to recover plastic Coil Cones from concrete. Different dimensions on either end allow it to recover both cone sizes.



CODE	DESCRIPTION	MASS(kg)
5865630	COIL CONE COMB EXTRACTOR	1.8

Application - Coil Ties



Form-Soldiers

Form-Soldiers are placed behind the Econo-Form Panels when used in a gang-formed application. The Ties are installed through the Form-Soldiers.

CODE	DESCRIPTION	MASS(kg)
5405009	FORM-SOLDIER 3600	89.6
5405008	FORM-SOLDIER 3300	82.8
5405007	FORM-SOLDIER 3000	75.9
5405006	FORM-SOLDIER 2700	69.1
5405005	FORM-SOLDIER 2400	62.3
5405004	FORM-SOLDIER 2100	55.5
5405003	FORM-SOLDIER 1800	48.7
5405002	FORM-SOLDIER 1500	41.8
5405001	FORM-SOLDIER 1200	35.0
5405012	FORM-SOLDIER 900 EXTENSION	28.2
5405011	FORM-SOLDIER 600 EXTENSION	21.4



Form Wall Brackets

The Form Wall Bracket holds the Form Support Bracket in place. The Form Wall Bracket is bolted to the Anchor Screw which is cast into the concrete.

CODE	DESCRIPTION	MASS(kg)
5405025	FORM WALL BRACKET	5.4



Anchor Screw and Extractor Tools

The Anchor Screw is used to secure the Form-Wall Bracket to the concrete wall. The Extractor Tool is used to remove an Anchor Screw from the concrete.

CODE	DESCRIPTION	MASS(kg)
2965904	ANCHOR SCREW M36 X 430	4.6
2965903	ANCHOR SCREW M24 X 280	1.2
2965902	ANCHOR SCREW M20 X 200	1.0
2965901	ANCHOR SCREW M20 X 120	0.6
2965905	ANCHOR SCREW EXT TOOL M20	2.3
2965906	ANCHOR SCREW EXT TOOL M24	2.4
2965907	ANCHOR SCREW EXT TOOL M36	4.2



Form Soldier Prop Connecting Brackets

Form Soldier Prop Connecting Brackets are used to connect the Push-Pull Props to the Form Soldier.

CODE	DESCRIPTION	MASS(kg)
5405300	FORM SOLDIER PROP CONNECTING BRACKET	2.5



Form Support Brackets

The Form Support Bracket is placed onto the Form Wall Bracket and creates a safe working platform as well as a support platform for the Plumbing Bracket. The sleeve at the end of the Form Support Bracket locates a 48mmØ handrail stanchion.

CODE	DESCRIPTION	MASS(kg)
5405023	FORM SUPPORT BRACKET	28.8



Form Hanging Brackets

The Form Hanging Bracket is suspended from the Form Support Bracket and creates a working platform 3200mm below the Form Support Bracket.

CODE	DESCRIPTION	MASS(kg)
5405024	FORM HANGING BRACKET	29.7



Form Access Brackets

The Form Access Bracket is bolted to the back of the Form-Soldier to create a safe access platform 685mm wide. The sleeve at the end of the Form Access Bracket locates a 48mmØ handrail stanchion.

CODE	DESCRIPTION	MASS(kg)
5405021	FORM ACCESS BRACKET	7.7
5405030	FORM RETAINING WASHER C/W M16 X 90 BOLT	0.6



Form Plumbing Brackets

The Form Plumbing Bracket is bolted to the lower end of the Form-Soldier and facilitates plumbing of the gang-formed formwork.

CODE	DESCRIPTION	MASS(kg)
5405022	FORM PLUMBING BRACKET	19.7

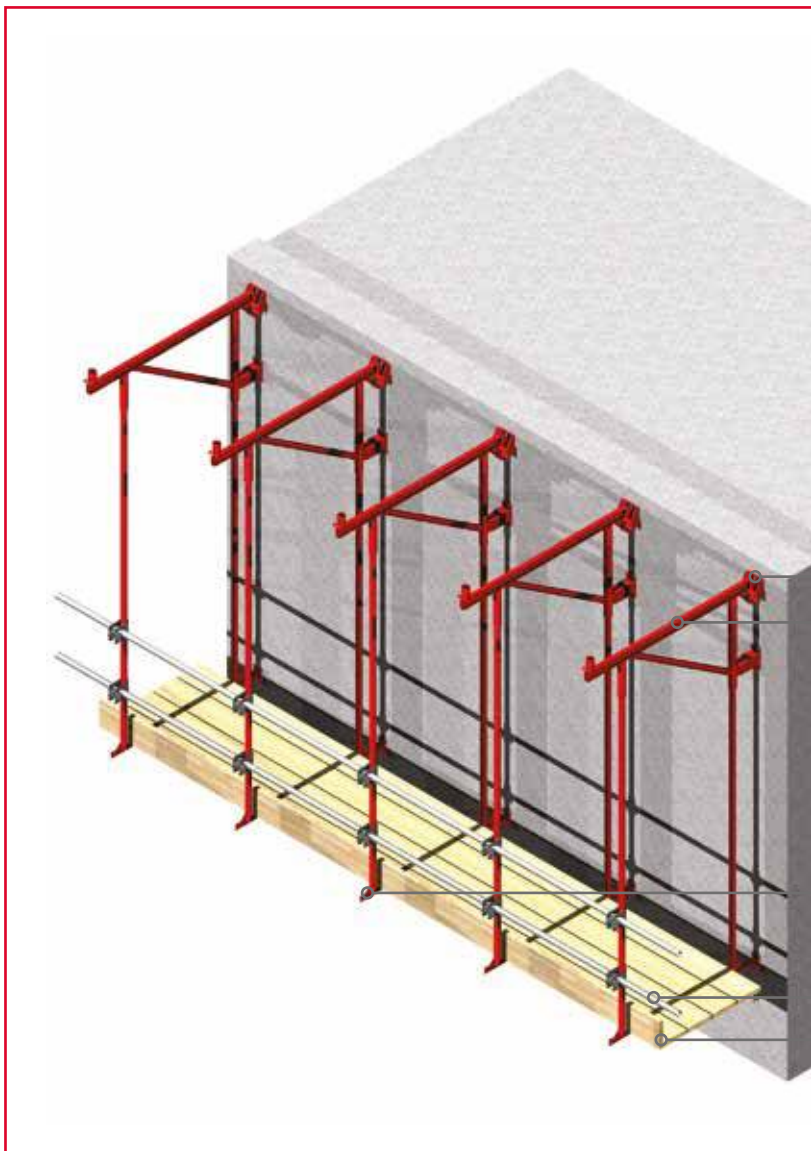


Application - Anchors



- Anchor Screw
- Form Wall Bracket
- HT Bolt

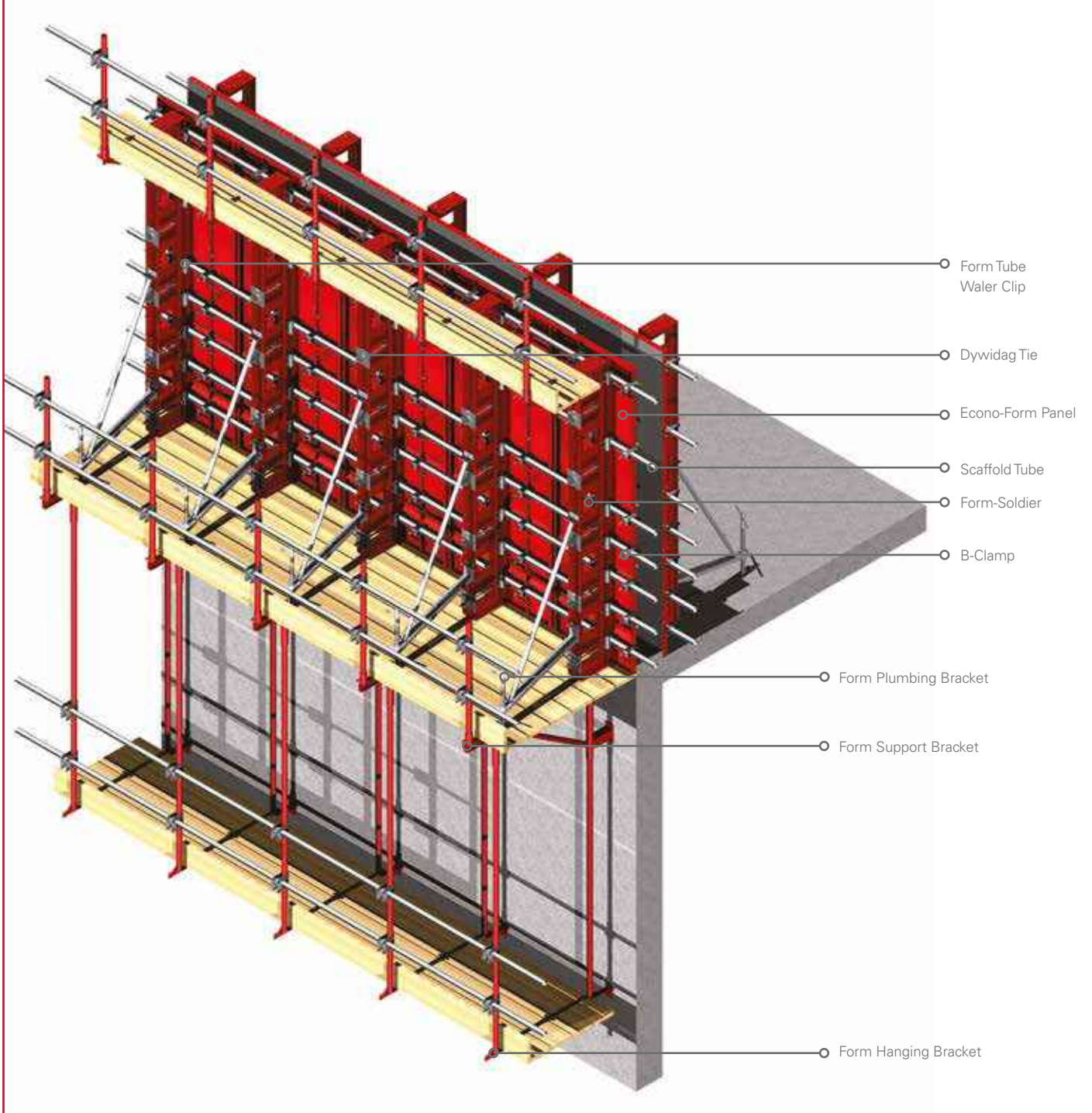
Application - Climbing 1



- Form Wall Bracket
- Form Support Bracket
- Form Hanging Bracket
- Safety Handrail
- Walkway and Toe Board



Application - Climbing 2



Form Bottom Plates

The Form Bottom Plate is used to prevent the Econo-Form Panels from slipping off the end of the Form-Soldiers when lifting a gang-formed unit.

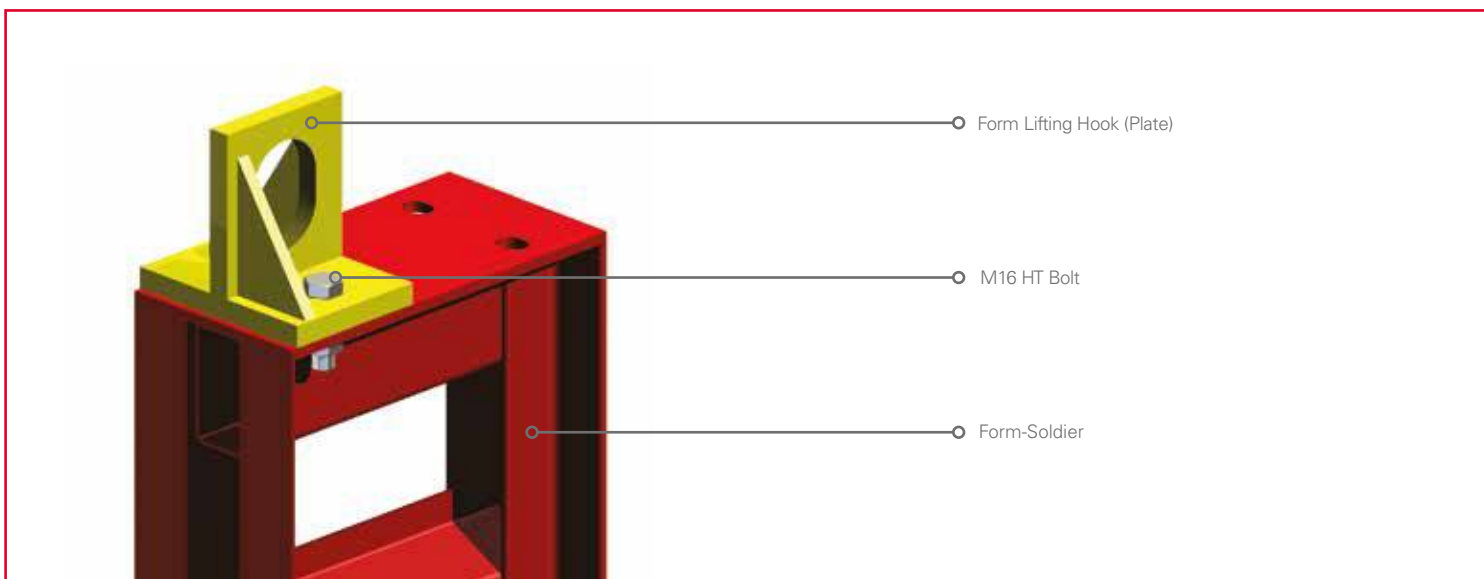
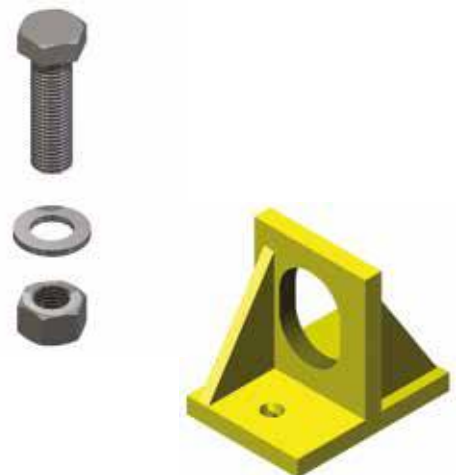
CODE	DESCRIPTION	MASS(kg)
5405082	FORM BOTTOM PLATE	3.4



Form Lifting Brackets

The Form Lifting Bracket is attached to the end of a Form-Soldier to create a safe lifting point.

CODE	DESCRIPTION	MASS(kg)
5405013	FORM LIFTING BRACKET	4.0
2966029	M16 X 40 HT BOLT	0.1



Form Channel Waler Clips

Form Channel Waler Clips are used to connect a 100mm x 50mm Channel Waler to the Form-Soldier face.

CODE	DESCRIPTION	MASS(kg)
5405043	FORM CHANNEL WALER CLIP COMPLETE	0.8



Form Tube Waler Clips

Form Tube Waler Clips are used to connect a scaffold tube to the Form-Soldier face.

CODE	DESCRIPTION	MASS(kg)
5405042	FORM TUBE WALER CLIP COMPLETE	0.7



Form Timber Waler Clips

Form Timber Waler Clips are used to attach timber sections to the Form-Soldiers.

CODE	DESCRIPTION	MASS(kg)
5405044	FORM TIMBER WALER CLIP COMPLETE	0.4



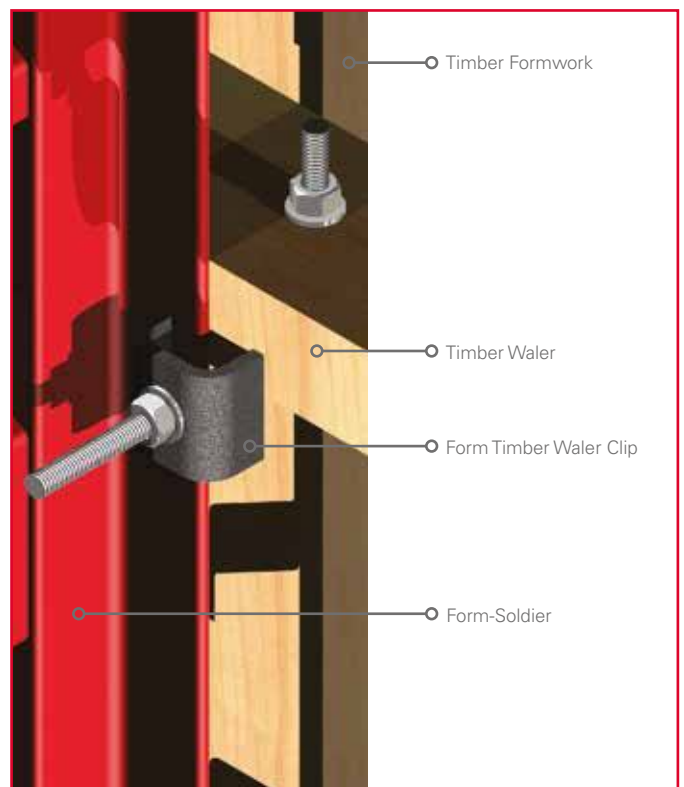
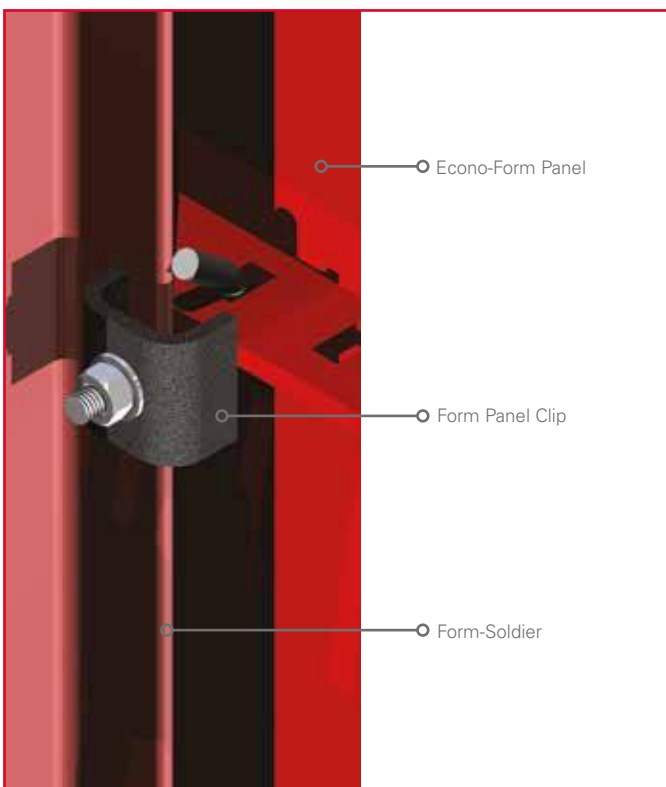
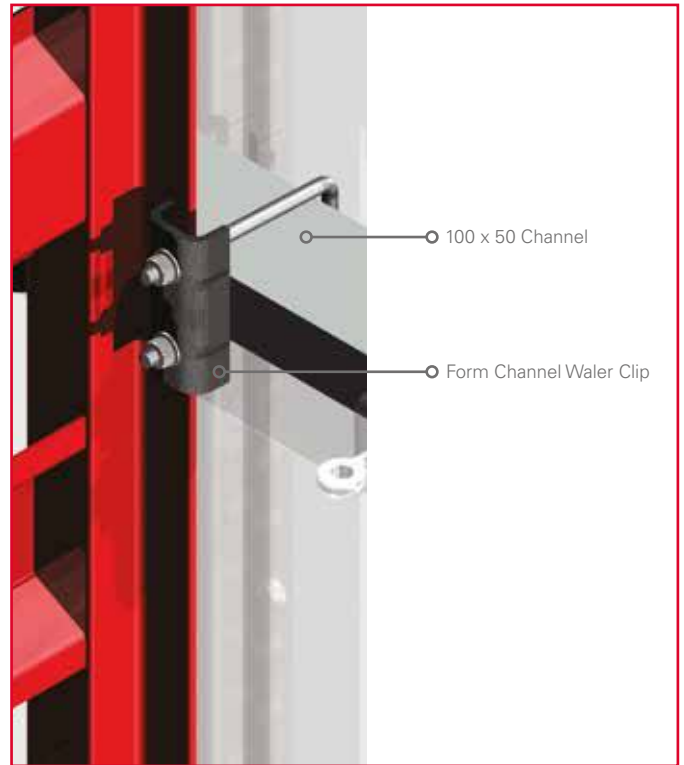
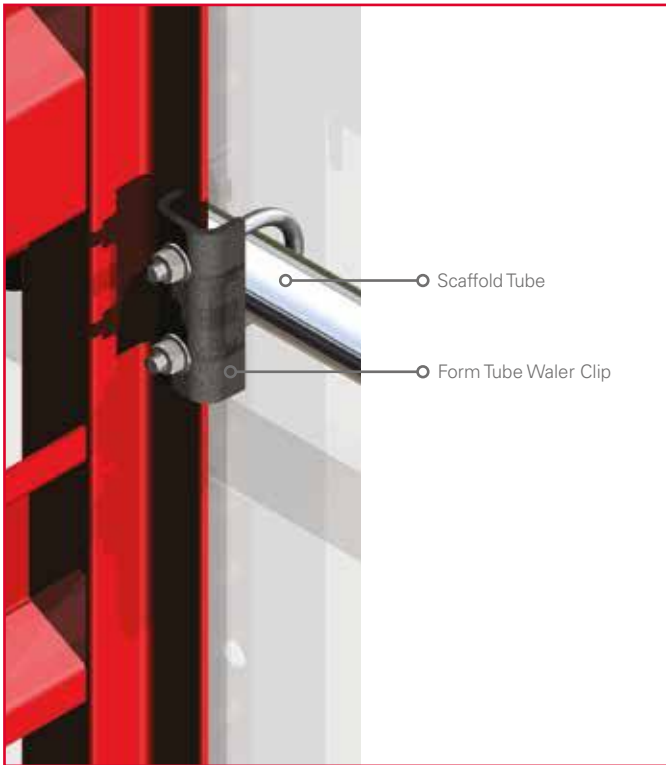
Form Panel Clips

Form Panel Clips are used to connect the Econo-Form Panels to the Form-Soldier face.

CODE	DESCRIPTION	MASS(kg)
5405041	FORM PANEL CLIP COMPLETE	0.3



Application - Fixings



International Branches

Ghana - Accra

Plot 29, Off Spintex Road, Tema
Motorway Industrial Area,
Accra, Ghana
Tel +233 30397 3722 /
+233 20868 1651

Kenya - Nairobi

Plot 15081/5/27 Old Airport North
Road, Nairobi, Kenya
Tel +254 724 004 781 /
+254 718 220 412

Mauritius - Port Louis

Anse Courtois Street, Montebello,
Pailles, Mauritius
Tel +230 286 6175 /
+230 5940 2551

Mozambique - Palma

N'Cumbi Road No. R762,
Palma, Mozambique
Tel +258 86 109 6443 /
+258 84 774 3788

Mozambique - Pemba

Estrada Nacional EN106, Muxara,
Pemba, Cabo Delgado, Mozambique
Tel: +258 84 312 4146

Namibia - Swakopmund

608 Nelson Mandela Avenue,
Swakopmund, Namibia
Tel +264 64 46 3677 /
+264 64 46 2720

Namibia - Windhoek

Cnr Nickle & Michelle McClean Street,
Prosperita, Windhoek, Namibia
Tel +264 61 425 350 /
+264 081 164 9806

Swaziland - Matsapha

Lot 814, King Mswati III Ave,
Matsapha, Swaziland
Tel +268 25 18 8360 /
+268 7668 5337

Tanzania - Dar es Salaam

Cnr Mwaikibaki Road & Kilimani
Close, Plot 1034/5 Mbezi Kawe,
Dar es Salaam, Tanzania
Tel +255 75 638 8115 /
+255 74 299 8022

Zambia - Kitwe

Plot 16, Karibu Business Park,
Kitwe, Zambia
Tel +260 966 880009 /
+ 260966 923 854

Zambia - Lusaka

Plot 397 A/3/B Kufue Road,
Lusaka, Zambia
Tel +260 968 491061 /
+ 260966 923 854

South African Branches

Ballito

Labora Terra Industrial Park,
Shakas Rock Road, Umhlali,
Ballito, KwaZulu Natal
Tel +27 (0) 32 947 9430

Bloemfontein

26 Tibbie Visser Street, Estoire
Small Holdings District,
Bloemfontein, Free State
Tel +27 (0) 51 432 5555

Cape Town

8 Rondevallei Road, Hagley,
Kuilsvier, Western Cape
Tel +27 (0) 21 528 6500

Durban South

16 Stroude Place, Isipingo,
KwaZulu Natal
Tel +27 (0) 31 902 2677

East London

5 Ray Craib Crescent,
Beacon Bay, Eastern Cape
Tel +27 (0) 43 748 2558

Gauteng

Poplar Crescent, Lords View
Industrial Park, Klipfontein,
Chloorkop X66, Gauteng
Tel +27 (0) 10 601 6313

George

10 Ring Road, George Industrial,
George, Western Cape
Tel +27 (0) 44 695 0294

Kathu

33 Kalk Street, Industrial Area,
Kathu, Northern Cape
Tel +27 (0) 53 723 2194

Lephalale

Rietspruit Plot 23, Portion 46,
Witkop Road, Lephalale, Limpopo
Tel +27 (0) 14 763 7982

Margate

Industrial Road, Margate,
KwaZulu Natal
Tel +27 (0) 39 317 1708

Nelspruit

Erf 379, Rocky Drift,
Mpumalanga
Tel +27 (0) 13 758 1036

Newcastle

6 Schonland Street, Riverside
Industrial Area, Newcastle,
KwaZulu Natal
Tel +27 (0) 34 375 7697

Pietermaritzburg

Market Road Ext, Mkondeni,
Pietermaritzburg, KwaZulu Natal
Tel +27 (0) 33 346 1767

Polokwane

62 Goud Street, Laboria,
Polokwane, Limpopo
Tel +27 (0) 15 293 0450

Port Elizabeth

4 Kendle Street, Neave Industrial
Area, Eastern Cape
Tel +27 (0) 41 453 2317

Richards Bay

111 Alluminia Alley, Alton Industrial
North, KwaZulu Natal
Tel +27 (0) 35 751 1140

Rustenburg

3 Ferro Street, Rustenburg,
North West Province
Tel +27 (0) 14 538 2540

Vereeniging

Cnr Telford & Van Riebeeck Street,
Duncanville, Gauteng
Tel +27 (0) 16 455 1611

Witbank

TP66 Geodesic Crescent, Marelden
Ext 3, Techno Park, Witbank,
Mpumalanga
Tel +27 (0) 13 690 2833

Head Office

181 Barbara Road,
Elandsfontein, Gauteng
PO Box 669, Isando, 1660
Tel +27 (0) 11 842 4000



 **econo-form**

Waco Africa / Head Office: PO Box 669, Isando, 1600.
181 Barbara Road, Elandsfontein. Tel: 011 842 4000

 **form-scaff**

Technical Advice Centre 0800 20 50 29 / 011 842 4011
www.formscaff.com