

Product Catalogue
Horizontal Formwork

FS kwik-deck



FS form-scaff

Formwork & Scaffolding
Solutions

We are
WACO



Form-Scaff is South Africa's leading supplier of formwork, falsework and scaffolding to the construction and civil engineering industries. Form-Scaff not only manufactures, hires and sells world-class products, but also provides the design skills, technical advice and support that comes with having 50 years experience and more than 30 branches locally and internationally.

We are Waco International

Form-Scaff is part of Waco International, a focused equipment rental and industrial services business with operations in Africa (South Africa and other sub-Saharan African countries), Australasia (Australia and New Zealand) and the United Kingdom.

The Group provides services in the areas of formwork, shoring and scaffolding, insulation, painting and blasting, hydraulics and suspended access platforms, relocatable modular buildings, portable sanitation products and integrated hygiene services.

Disclaimer:

Copyright in this catalogue vests in Form-Scaff, a division of Waco Africa (Proprietary) Limited ("Form-Scaff") and extends inter alia, to the making of copies in whole or in part without the prior written consent of Form-Scaff.

While every effort has been made to ensure the accuracy of the information in this catalogue, we cannot accept responsibility for any errors which may occur as a result of reliance on the contents of this catalogue and are not liable for any loss of any nature that may be incurred as a result of such reliance. Details of any of the products may change without prior notice.

The customer must ensure that 'good practice' is adopted on site by competent persons and that the products shown in this catalogue are erected, used and stripped in accordance with the relevant Codes of Practice and the OHS Act and Regulations 85 of 1993. This catalogue does not contain any design detail but lists and depicts the items available under this product range. The responsibility for design is the responsibility of the customer.

Note: The colours used in this document are for illustrative purposes only and may differ on actual products

Contents

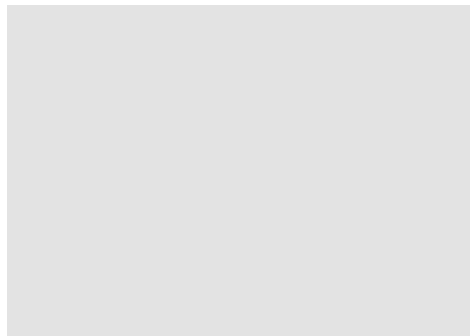
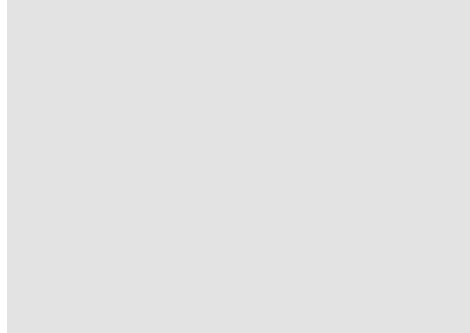


kwik-deck

- Page 2** Kwik-Deck Overview
- Page 3** General Assembly
- Page 4** Supportwork - Props
- Page 5** Trusses & Tri-Pods
- Page 6** Supportwork - Kwik-Stage
- Page 7** Ledgers & Tubes
- Page 8** Drop-Heads
- Page 9** Beams and Panels
- Page 10** Patching
- Page 12** Cantilevers
- Page 15** Guardrails
- Page 16** Slab-Edges

Contact Details

- Page 17** Head Office & Branches





kwik-deck



Kwik-Deck Decking

Kwik-Deck is a high quality, fast erect and strip decking system that combines the tried and tested features of the old Tim-Deck system with innovative new thinking and design.

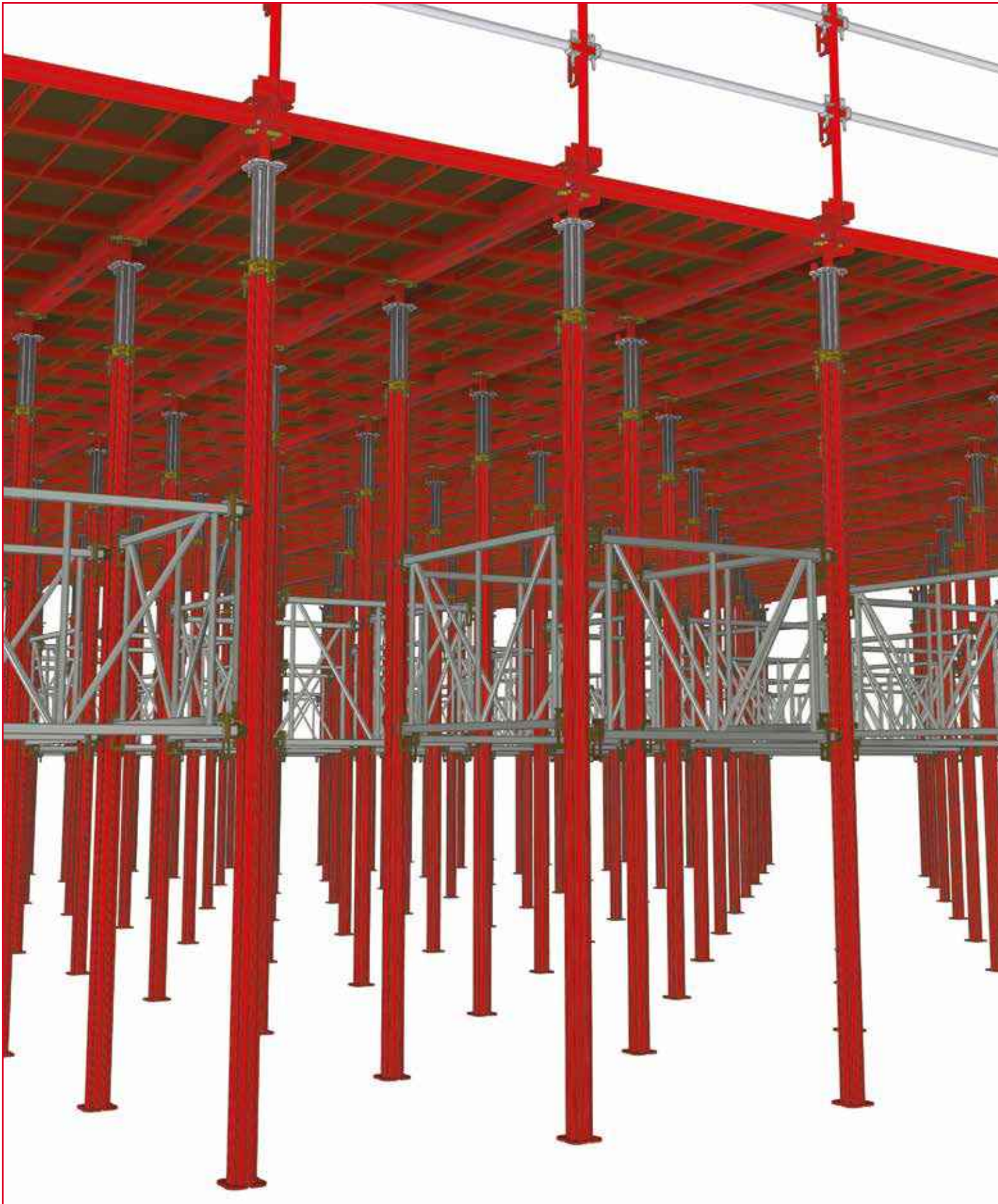
Compatibility on all three supportwork systems, Kwik-Stage, Alu-Up Props and BS Props makes Kwik-Deck the most versatile decking system available in South Africa. Locally manufactured in our ISO 9001/2000 accredited factory, the machined interlocking fit between Panel, Beam and Drop-Head not only ensures a smooth concrete finish, but also makes the system extremely safe from erection through to dismantling.

System Features

- Rigid interlocking between Panels, Beams and Drop-Heads.
- Compatible with three different supportwork systems.
- Stability of Kwik-Stage around the slab perimeter.
- The unique multiple support point Cantilever Bracket ensures that the grid always remains in the same aesthetically pleasing direction.
- 850mm safe cantilevered working platform.
- One product to do safe handrails around the deck as well as the slabs below.
- A complete and cost effective patching solution.



General Assembly



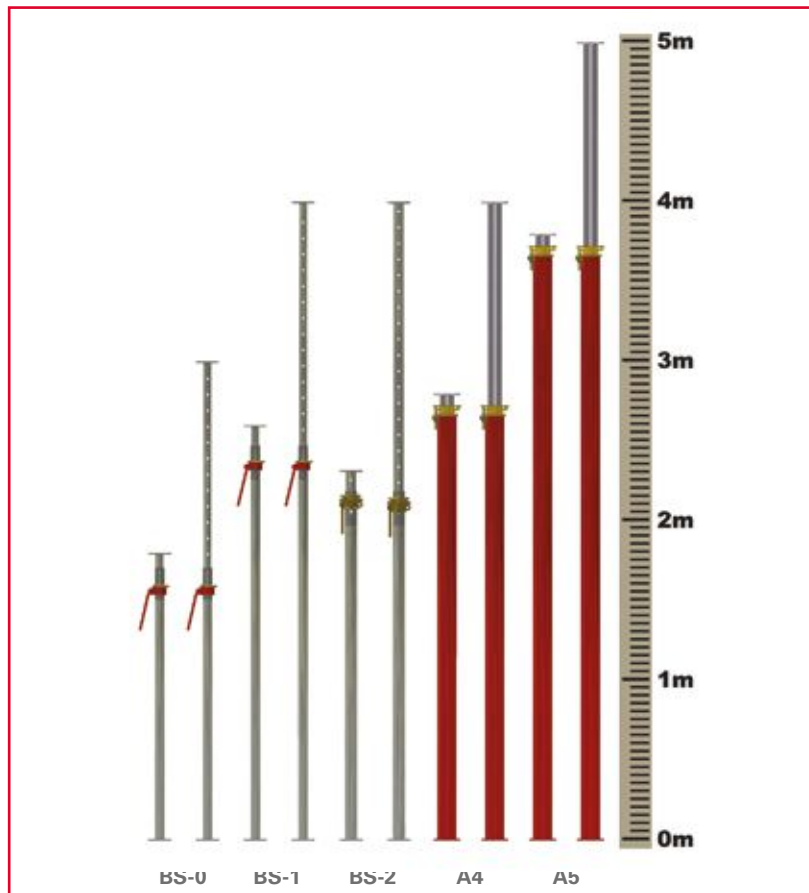
Supportwork - Props

BS Props

BS Props are used to support the Kwik-Deck system to a propping height of 4000mm.

CODE	DESCRIPTION	MASS(kg)
5105007	BS-0 PROP INNER	8.6
5105008	BS-0 PROP OUTER	11.1
1520002	BS-1 PROP INNER	11.8
1520003	BS-1 PROP OUTER	16.4
1520006	BS-2 PROP COMPLETE	29.8

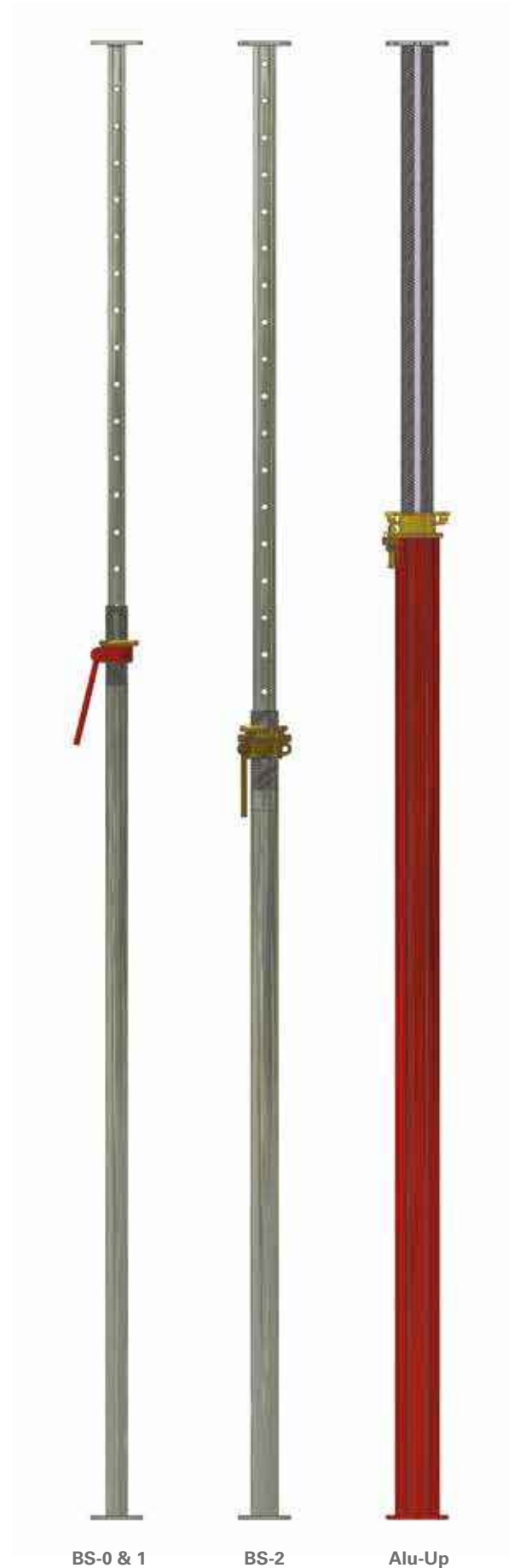
Prop Heights



Alu-Up Props

Alu-Up Props are used to support the Kwik-Deck system to a propping height of 5000mm (Single Prop).

CODE	DESCRIPTION	MASS(kg)
5105199	ALU-UP 4 PROP	25.0
5105200	ALU-UP 5 PROP	29.3



Alu-Up Prop Stubs and Extensions

Alu-Up Prop Extensions are used to extend the propping height in small intervals. The Stubs are bolted to the bottom of all Props as a protection piece.

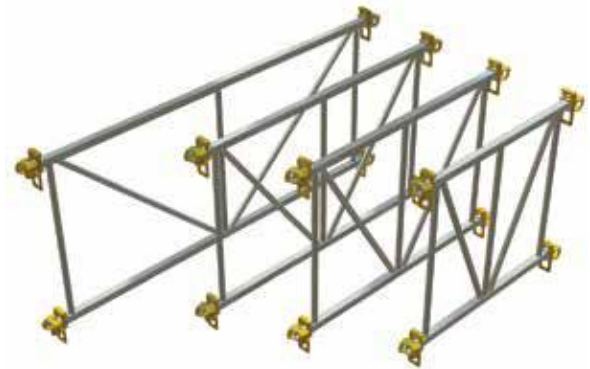
CODE	DESCRIPTION	MASS(kg)
5105205	ALU-UP EXTENSION 1000	12.2
5105204	ALU-UP EXTENSION 500	7.5
5105210	ALU-UP STUB 150	4.3



Alu-Up Trusses

Alu-Up Trusses are used to create towers and brace the Alu-Up Props. It further enhances the stability and loading capacity of the Props.

CODE	DESCRIPTION	MASS(kg)
5105206	ALU-UP TRUSS 2500	32.3
5105207	ALU-UP TRUSS 1800	26.1
5105208	ALU-UP TRUSS 1600	24.4
5105209	ALU-UP TRUSS 1294	21.8
5105212	ALU-UP TRUSS 900	15.8



BS Prop Tri-pods

BS Prop Tri-pods are used to keep the BS Props plumb during the erection phase.

CODE	DESCRIPTION	MASS(kg)
1130017	BS PROP TRI-POD	10.1



Alu-Up Prop Tri-pods

Alu-Up Prop Tri-pods are used to keep the Alu-Up Props plumb during the erection phase.

CODE	DESCRIPTION	MASS(kg)
5105201	ALU-UP PROP TRI-POD	15.7



Supportwork - Kwik-Stage

Jacks and Base Plates

BT Jacks are inserted into the ends of Kwik-Stage Standards to provide the required vertical height adjustment and to secure the Kwik-Deck Drop-Heads in position.

Kwik-Stage Base Plates are inserted into the bottom end of Kwik-Stage Standards to spread the load onto the bearing surface.

CODE	DESCRIPTION	MASS(kg)
0135302	KWIK-STAGE BT BASE PLATE	1.6
0140335	KWIK-STAGE 610 R/O BT BASE JACK	4.2



Kwik-Stage Standards

Kwik-Stage Standards make-up the vertical supports for formwork and access.

CODE	DESCRIPTION	MASS(kg)
1105005	KWIK-STAGE STANDARD 3000	15.5
1105004	KWIK-STAGE STANDARD 2500	12.9
1105003	KWIK-STAGE STANDARD 2000	10.3
1105002	KWIK-STAGE STANDARD 1500	7.7
1105001	KWIK-STAGE STANDARD 1000	5.2
1105000	KWIK-STAGE STANDARD 500	2.6
1105045	KWIK-STAGE STANDARD 250 C/W SOCKET	2.6



Application - Kwik-Stage Supportwork

Two bays of Kwik-Stage are used around the perimeter of all Kwik-Deck slabs, irrespective of the supportwork system used. This provides stability to the entire structure and facilitates a safe, cantilevered working platform around the perimeter when using the Kwik-Deck Cantilever Bracket. Kwik-Stage further acts as a safe and secure handrail barrier around the deck. It is also used as the setting-out point for the entire deck - starting at the four corner columns working inwards and leaving only two main patch lines.



Kwik-Stage Ledgers

Kwik-Stage Ledgers are horizontal members used to keep the Kwik-Stage Standards in the vertical position.

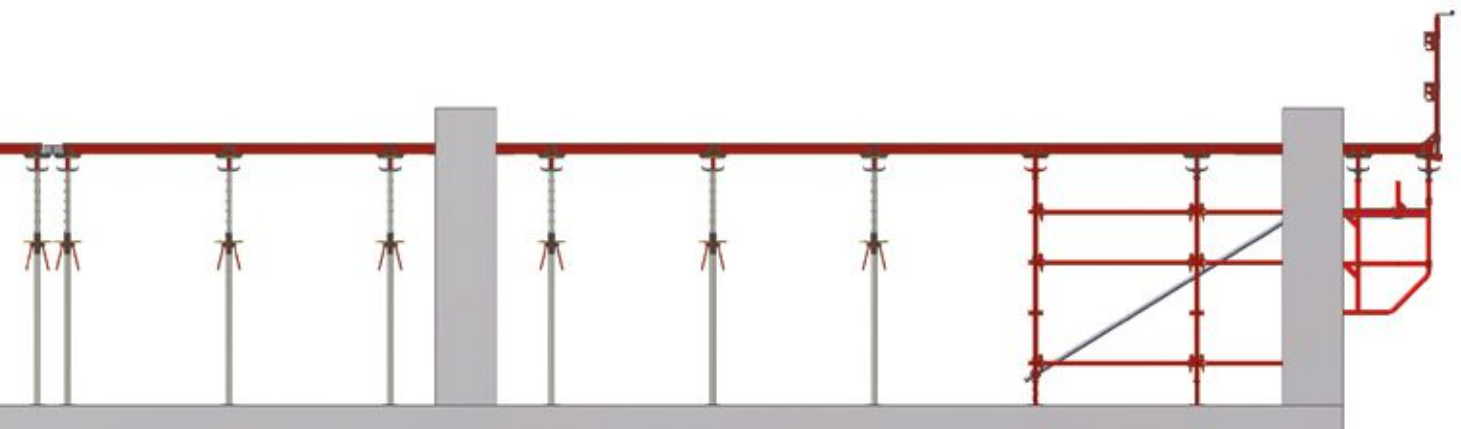
CODE	DESCRIPTION	MASS(kg)
1105021	KWIK-STAGE LEDGER 2500	9.0
1105022	KWIK-STAGE LEDGER 2000	7.3
1105018	KWIK-STAGE LEDGER 1800	6.6
1105034	KWIK-STAGE LEDGER 1600	5.7
1105024	KWIK-STAGE LEDGER 1294	5.0
1105027	KWIK-STAGE LEDGER 1000	3.4
1105049	KWIK-STAGE LEDGER 925	3.2
1105029	KWIK-STAGE LEDGER 900	3.1
1105037	KWIK-STAGE LEDGER 700	2.6
1105032	KWIK-STAGE LEDGER 600	2.4



Scaffold Tubes and Swivel Couplers

Scaffold Tubes are used for a variety of applications in supportwork and access scaffolding, i.e. bracing, lacing, handrails etc. Swivel Couplers attach Scaffold Tubes to Standards and Jacks in any direction.

CODE	DESCRIPTION	MASS(kg)
1905151	SCAFFOLD TUBE 6100	22.7
1905098	SCAFFOLD TUBE 5500	20.5
1905097	SCAFFOLD TUBE 5000	18.6
1905096	SCAFFOLD TUBE 4500	16.7
1905095	SCAFFOLD TUBE 4000	14.9
1905094	SCAFFOLD TUBE 3500	13.0
1905093	SCAFFOLD TUBE 3000	11.2
1905092	SCAFFOLD TUBE 2500	9.3
1905091	SCAFFOLD TUBE 2000	7.4
1905090	SCAFFOLD TUBE 1500	5.6
1905089	SCAFFOLD TUBE 1000	3.7
1905088	SCAFFOLD TUBE 500	1.9
1905059	50 X 50 SWIVEL COUPLER	1.5
1905100	38 X 48 SWIVEL COUPLER	1.2



Drop-Heads

Kwik-Deck Drop-Head

The Kwik-Deck Drop-Head is used to support the Kwik-Deck Beam and Patch Plates, as well as to facilitate the Kwik-Strip action of the system.

CODE	DESCRIPTION	MASS(kg)
32001	KWIK-DECK DROP-HEAD	6.9



Kwik-Deck Drop-Head on Alu-Up



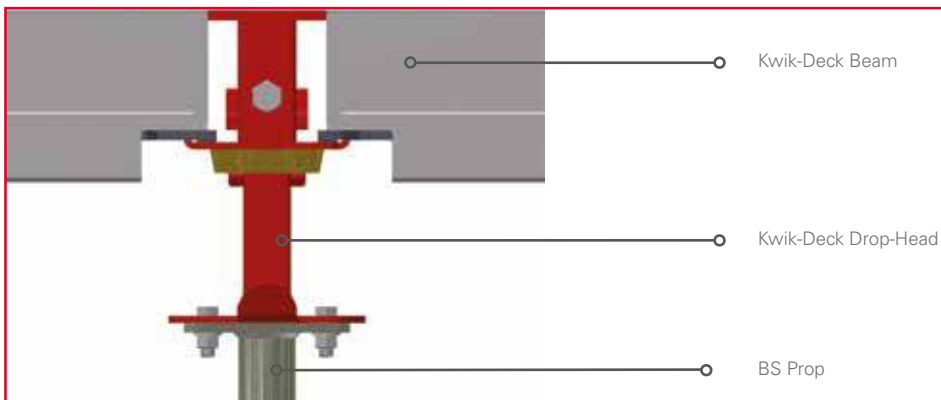
Kwik-Deck Drop-Head on BS Prop



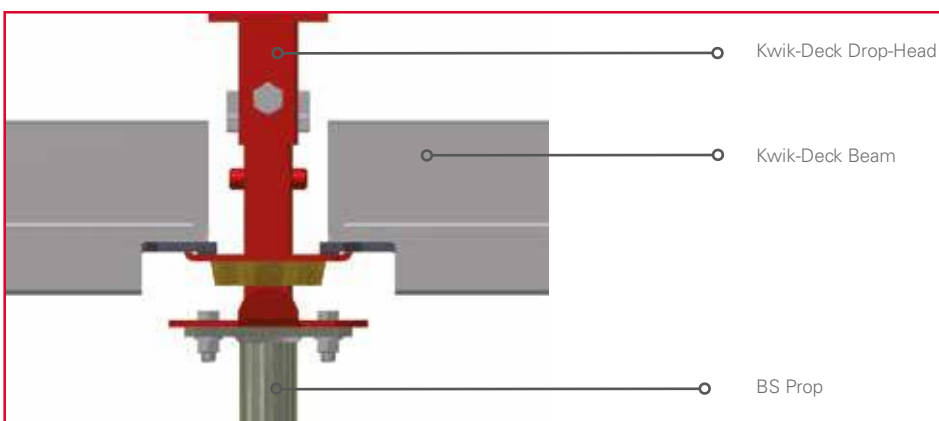
Kwik-Deck Drop-Head on Kwik-Stage



Kwik-Deck Drop-Head Unstripped Position



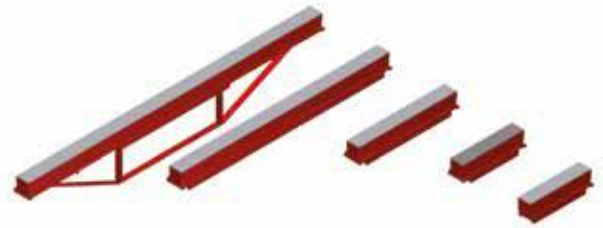
Kwik-Deck Drop-Head Stripped Position



Kwik-Deck Beams

Kwik-Deck Beams span between two Drop-Heads and support the Kwik-Deck Panels and Patch Beams. The Kwik-Deck Direction Change Beam allows the beam grid to change when the one end is hooked into the gutter of another beam.

CODE	DESCRIPTION	MASS(kg)
31004	KWIK-DECK BEAM 2500	31.7
31003	KWIK-DECK BEAM 1800	21.7
31006	KWIK-DECK BEAM 1500	18.1
31007	KWIK-DECK BEAM 1200	14.5
31002	KWIK-DECK BEAM 900	11.0
31001	KWIK-DECK BEAM 600	7.6
31005	KWIK-DECK DIRECTION CHANGE BEAM	7.4



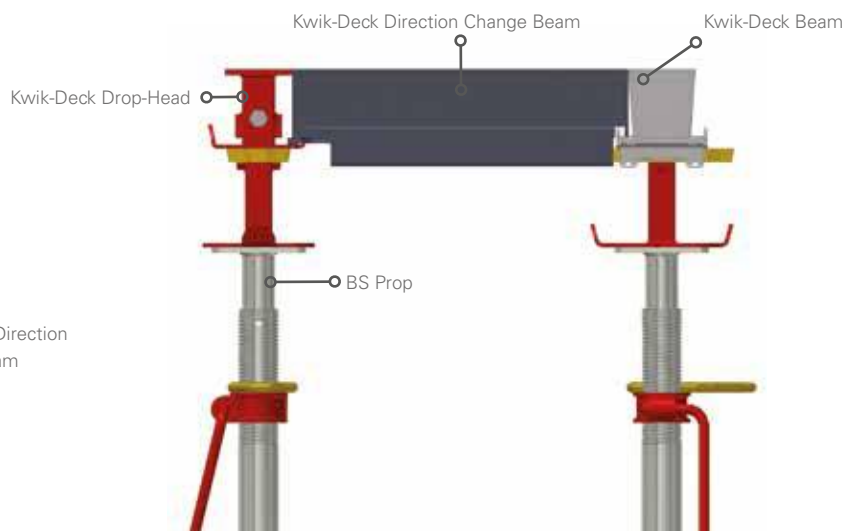
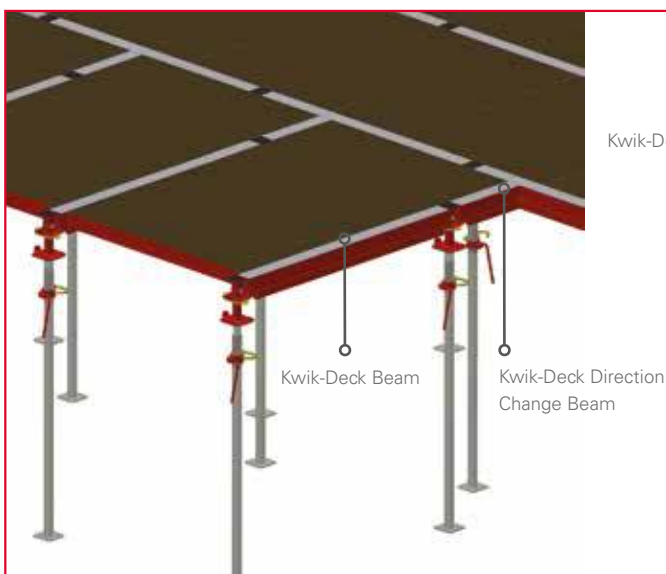
Kwik-Deck Panels

Kwik-Deck Panels are used to form a flat deck, supported by two Kwik-Deck Beams.

CODE	DESCRIPTION	MASS(kg)
30001	KWIK-DECK PANEL 1500 X 600	19.4
30002	KWIK-DECK PANEL 1500 X 300	12.9
30003	KWIK-DECK PANEL 1500 X 150	9.3
30004	KWIK-DECK PANEL 1194 X 600	15.6
30005	KWIK-DECK PANEL 1194 X 300	10.3
30006	KWIK-DECK PANEL 1194 X 150	7.3
30007	KWIK-DECK PANEL 800 X 600	11.2
30008	KWIK-DECK PANEL 800 X 300	7.3
30009	KWIK-DECK PANEL 800 X 150	5.1
37001	KWIK-DECK CORNER PANEL	12.0



Application - Direction Change Beam

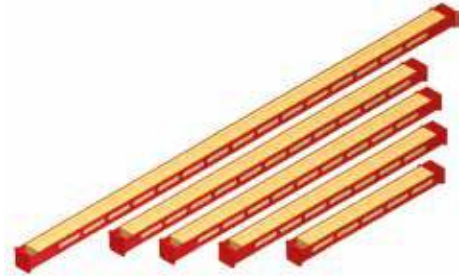


Patching

Kwik-Deck Patch Beams

Kwik-Deck Patch Beams facilitate patching in all directions. The Patch Beams are supported on either the gutter of the Kwik-Deck Beam, the gutter of another Patch Beam or on the Kwik-Deck Patch Plate.

CODE	DESCRIPTION	MASS(kg)
33006	KWIK-DECK PATCH BEAM 2500	21.5
33005	KWIK-DECK PATCH BEAM 1800	15.6
33004	KWIK-DECK PATCH BEAM 1500	17.7
33003	KWIK-DECK PATCH BEAM 1194	14.2
33002	KWIK-DECK PATCH BEAM 800/900	9.6
33001	KWIK-DECK PATCH BEAM 600	6.9



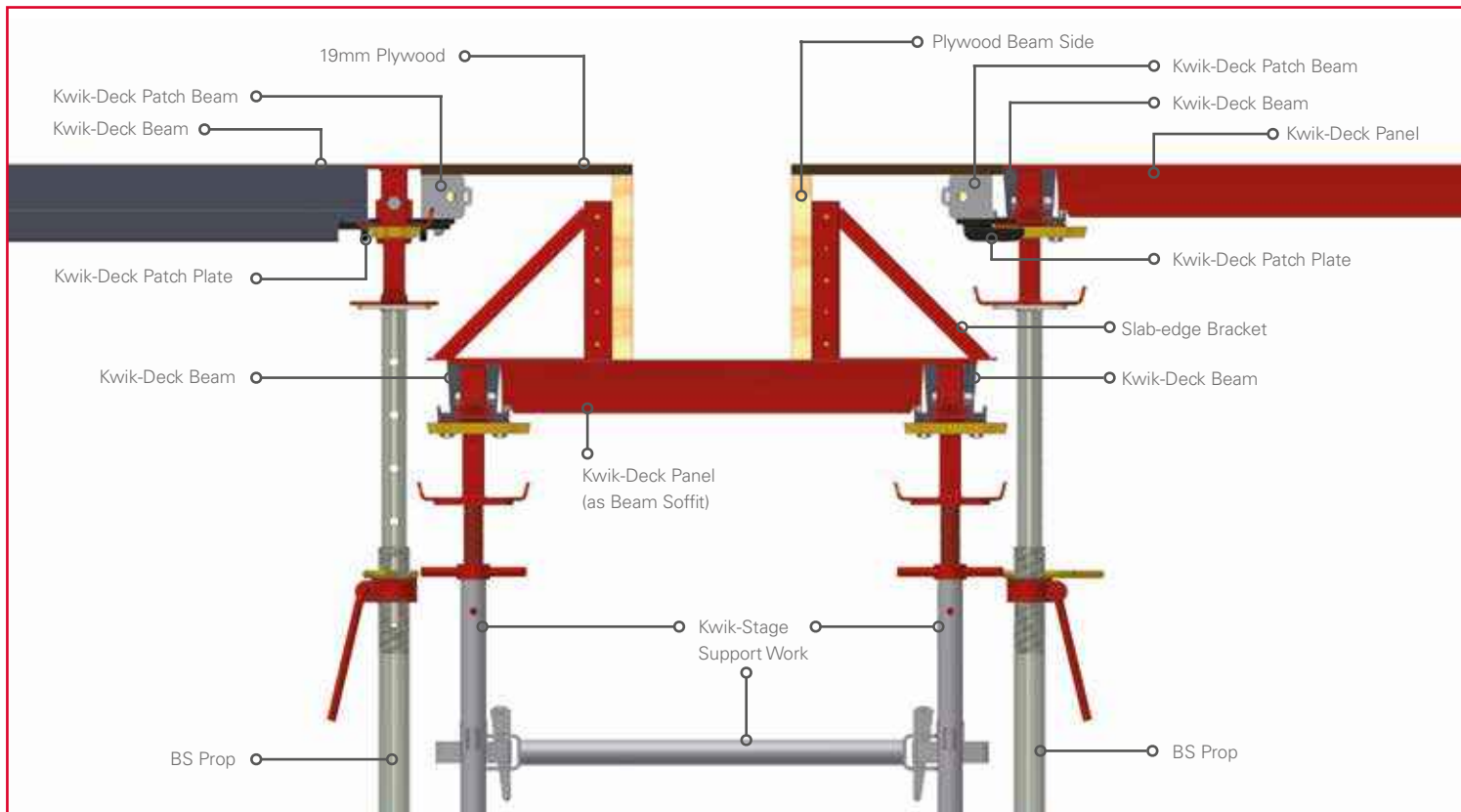
Kwik-Deck Patch Plate

The Kwik-Deck Patch Plate slides onto the Kwik-Deck Drop-Head to support a Patch Beam in any one of four directions. This leaves 19mm from the top of the Patch Beam to the deck for placing of plywood.

CODE	DESCRIPTION	MASS(kg)
33007	KWIK-DECK PATCH PLATE	2.5



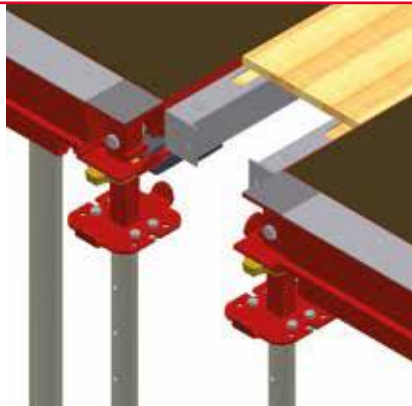
General - Patching Solution Facilities Downstand Beams





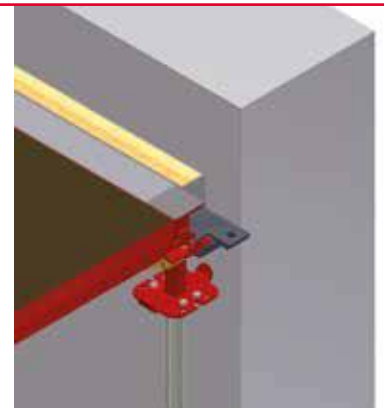
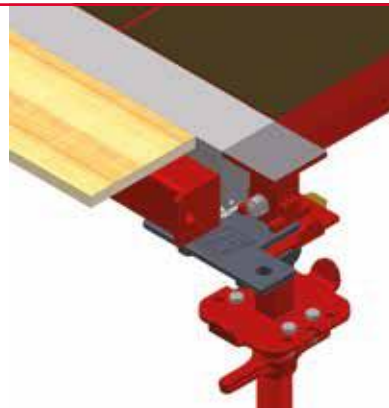
Kwik-Deck Patching Alongside Panels

Patch Beams can run alongside the length of any Kwik-Deck Panel. Patch Beams are hooked onto Patch Plates to support plywood patching.



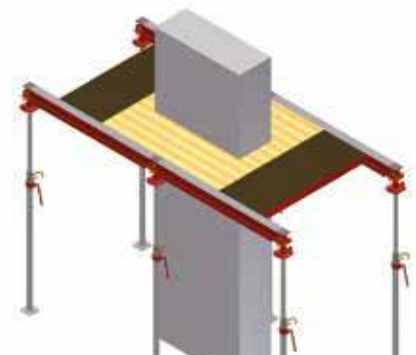
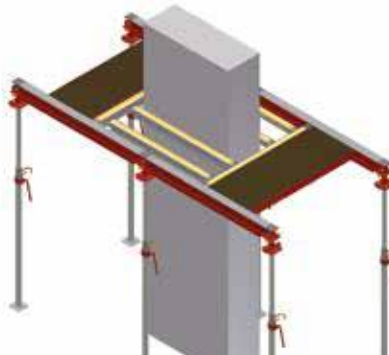
Kwik-Deck Patching Alongside Beams

Patch Beams can run alongside the length of any Kwik-Deck Beam. Patch Beams are hooked onto Patch Plates to support plywood patching.



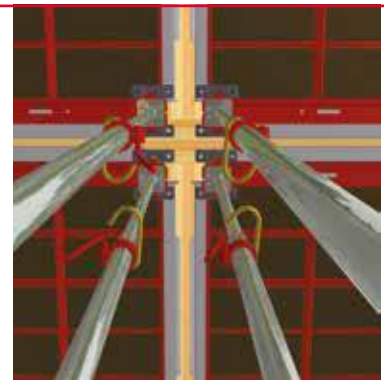
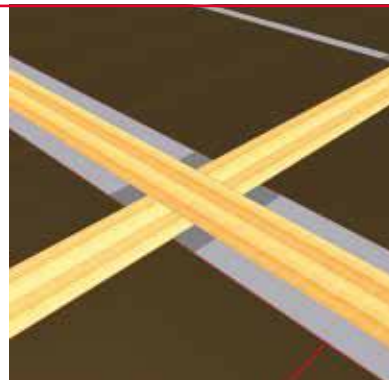
Kwik-Deck Patching Alongside Columns

Patch Beams can hook into the gutter of any Kwik-Deck Beam or into the gutter of another Patch Beam when patching around columns.



Kwik-Deck Patching in Two Directions

Patching is simple, even when two patch lines meet.



Cantilevers

Kwik-Deck Cantilever Bracket

The Kwik-Deck Cantilever Bracket simply hooks onto the Kwik-Stage Standard, creating a safe cantilevered working platform. Hook-on Boards can be placed onto the Cantilever Bracket to assist in the safe erection and dismantling of the Kwik-Deck system. Its unique multiple support points eliminate any direction change of the decking grid.

CODE	DESCRIPTION	MASS(kg)
39001	KWIK-DECK CANTILEVER BRACKET	25.7
1105076	HOOK-ON BOARD 2500	20.4
1105079	HOOK-ON BOARD 1800	15.5
1105075	HOOK-ON BOARD 1600	14.1
1105070	HOOK-ON BOARD 1294	11.6
1105065	HOOK-ON BOARD 900	8.9



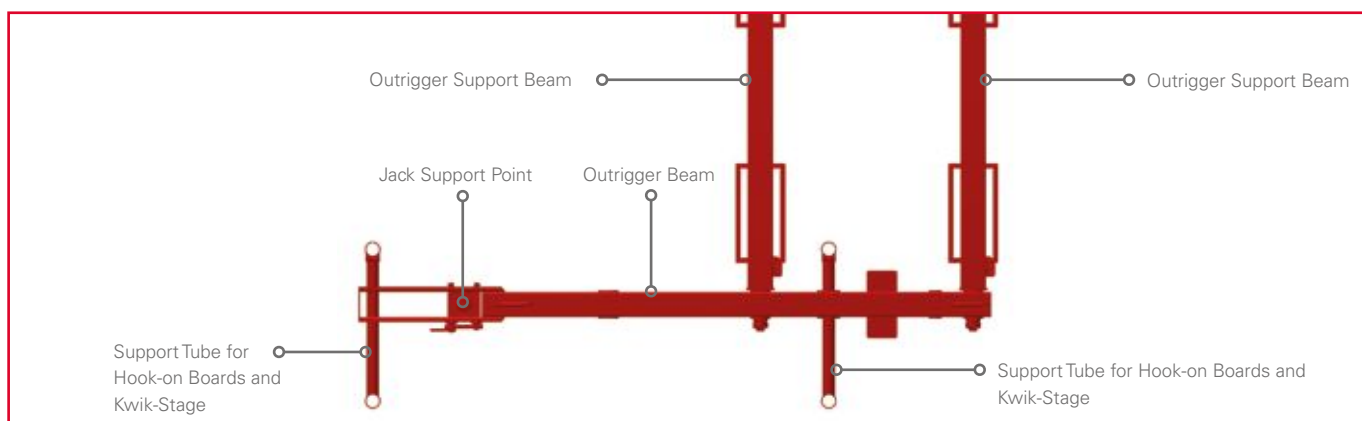
Kwik-Deck Outrigger

The Kwik-Deck Outrigger assembly creates an off-the-slab support point just outside the corner column. When used with the Kwik-Deck Cantilever Bracket, the ultimate corner solution is achieved – safe, stable and economical. It facilitates a safe, cantilevered working platform around the corner column on multi-story buildings without having to support it from ground level up. The Outrigger assembly is trapped between two poured slabs by placing Props onto the Kwik-Deck Outrigger Support Beams. Two cup-end tubes on the Outrigger Beam provide support for a Hook-on Board and a Kwik-Stage Cage to form a safe working platform, from where the off-the-slab supportwork can be recovered.

CODE	DESCRIPTION	MASS(kg)
36001	KWIK-DECK OUTRIGGER BEAM	72.0
36002	KWIK-DECK OUTRIGGER SUPPORT BEAM	38.2

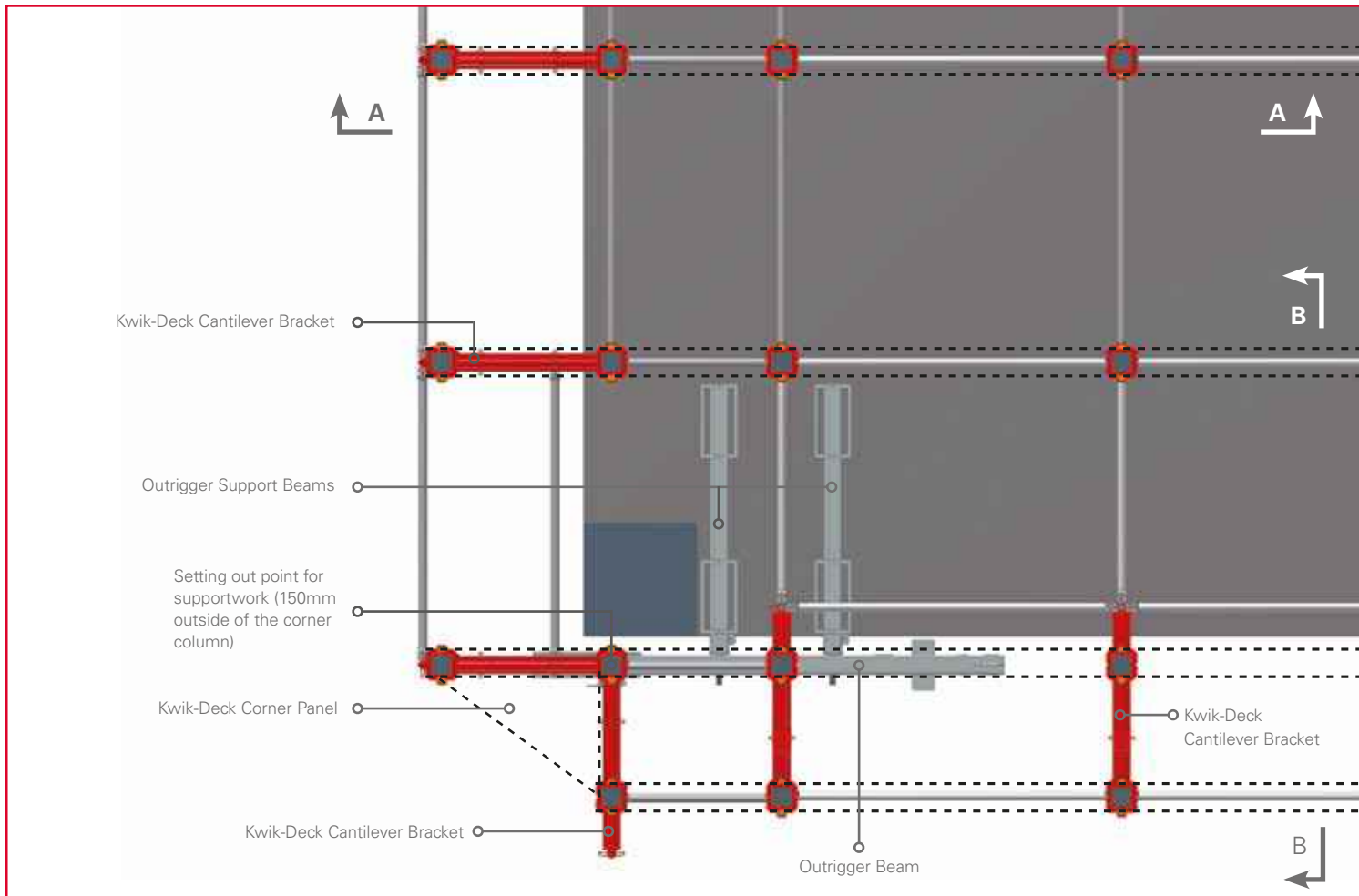


Application - Outrigger Beam

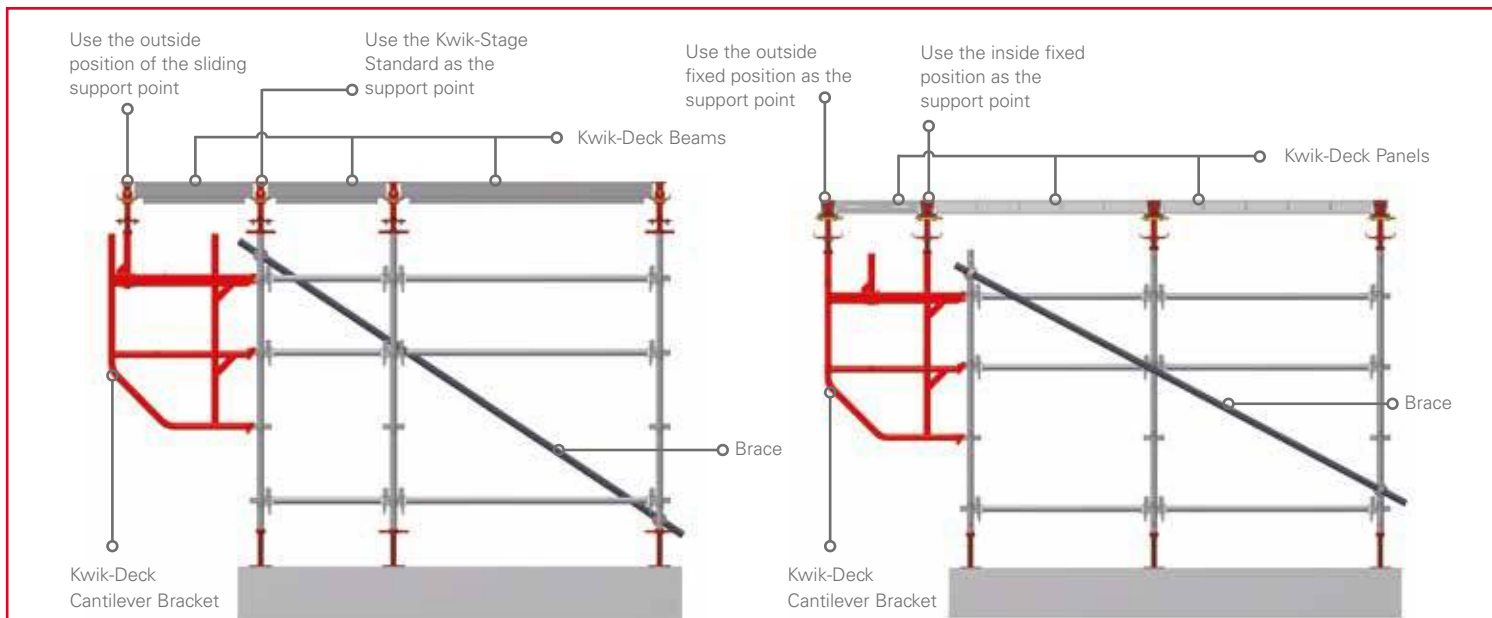




Application - Typical Kwik-Stage Layout for Columns up to 600mm



Application - Kwik-Stage Perimeter with Cantilevers

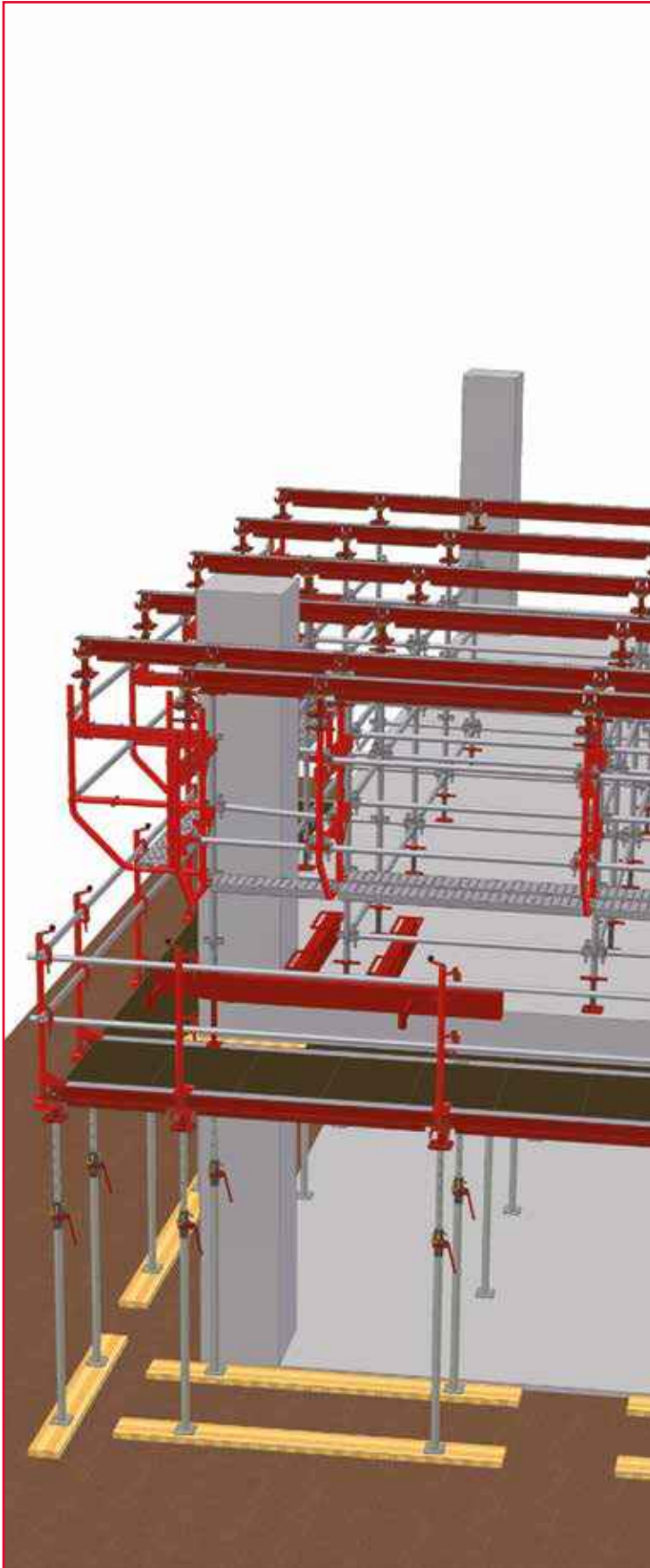


Section A-A (Beam direction)

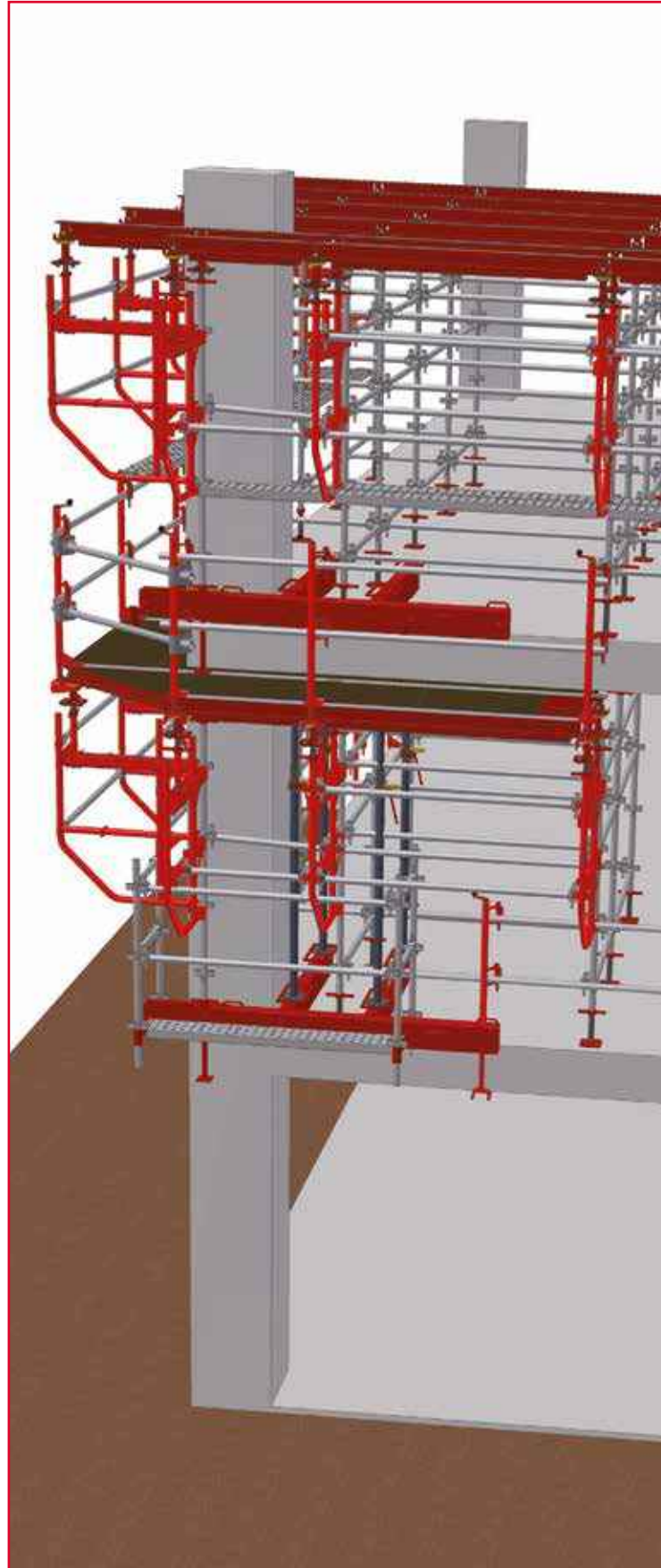
Section B-B (Panel direction)

Note: 2 Bays of Kwik-Stage must be erected around the entire slab perimeter in the correct format. Overturning loads and concrete loads are safely transferred only if used in the prescribed format. Please contact your nearest Form-Scaff Design Office for a formwork layout.

Application - Cantilever Bracket and Outrigger Beam



Typical Second Floor Stage



Typical Third Floor Stage

Kwik-Deck Guardrail Bracket

The Kwik-Deck Guardrail Bracket is used to create a safe guardrail around the perimeter of the deck, by attaching it to the Kwik-Deck Drop-Head in any direction. Its unique design further allows it to be clamped on already cast slabs of up to 900mm deep as well as any other rectangular shaped objects.

CODE	DESCRIPTION	MASS(kg)
1130239	KWIK-DECK GUARDRAIL BRACKET	15.3



Application - Kwik-Deck Guardrails

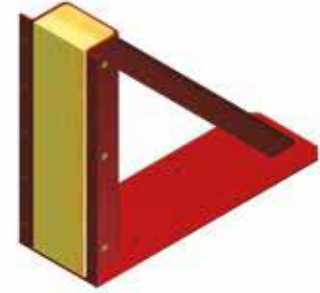


Slab-Edges

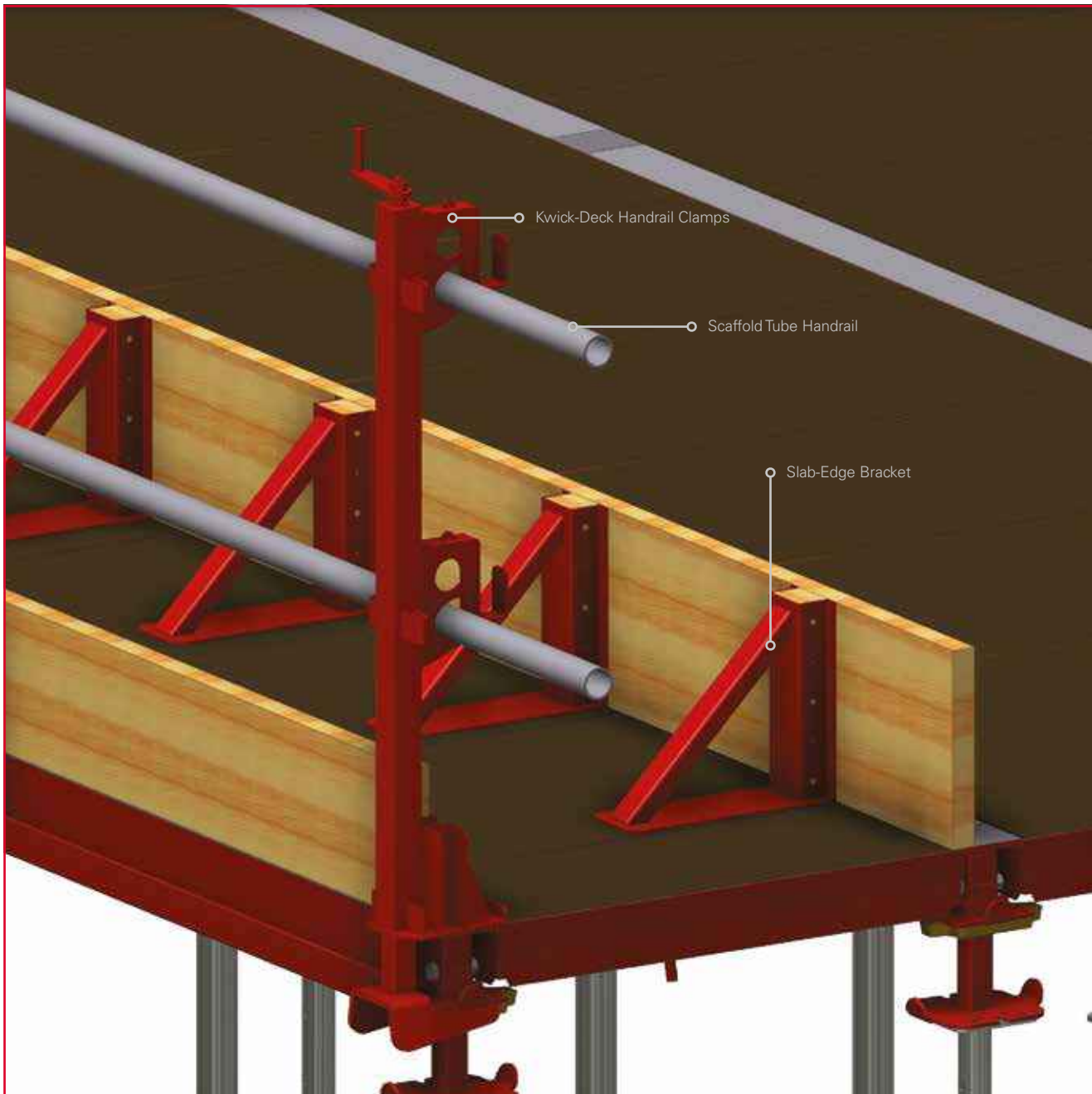
Slab-Edge Bracket

The 300mm high Slab-Edge Bracket facilitates the installation of slab stop-ends. Fastening the bracket to the Kwick-Deck Panel is done with either nails or screws. The slab-edge form (plywood) is fastened to the vertical timber insert.

CODE	DESCRIPTION	MASS(kg)
37003	SLAB-EDGE BRACKET	4.3



Application - Slab-Edges



International Branches

Ghana - Accra

Plot 29, Off Spintex Road, Tema
Motorway Industrial Area,
Accra, Ghana
Tel +233 30397 3722 /
+233 20868 1651

Kenya - Nairobi

Plot 15081/5/27 Old Airport North
Road, Nairobi, Kenya
Tel +254 724 004 781 /
+254 718 220 412

Mauritius - Port Louis

Anse Courtois Street, Montebello,
Pailles, Mauritius
Tel +230 286 6175 /
+230 5940 2551

Mozambique - Palma

N'Cumbi Road No. R762,
Palma, Mozambique
Tel +258 86 109 6443 /
+258 84 774 3788

Mozambique - Pemba

Estrada Nacional EN106, Muxara,
Pemba, Cabo Delgado, Mozambique
Tel: +258 84 312 4146

Namibia - Swakopmund

608 Nelson Mandela Avenue,
Swakopmund, Namibia
Tel +264 64 46 3677 /
+264 64 46 2720

Namibia - Windhoek

Cnr Nickle & Michelle McClean Street,
Prosperita, Windhoek, Namibia
Tel +264 61 425 350 /
+264 081 164 9806

Swaziland - Matsapha

Lot 814, King Mswati III Ave,
Matsapha, Swaziland
Tel +268 25 18 8360 /
+268 7668 5337

Tanzania - Dar es Salaam

Cnr Mwaikibaki Road & Kilimani
Close, Plot 1034/5 Mbezi Kawe,
Dar es Salaam, Tanzania
Tel +255 75 638 8115 /
+255 74 299 8022

Zambia - Kitwe

Plot 16, Karibu Business Park,
Kitwe, Zambia
Tel +260 966 880009 /
+ 260966 923 854

Zambia - Lusaka

Plot 397 A/3/B Kufue Road,
Lusaka, Zambia
Tel +260 968 491061 /
+ 260966 923 854

South African Branches

Ballito

Labora Terra Industrial Park,
Shakas Rock Road, Umhlali,
Ballito, KwaZulu Natal
Tel +27 (0) 32 947 9430

Bloemfontein

26 Tibbie Visser Street, Estoire
Small Holdings District,
Bloemfontein, Free State
Tel +27 (0) 51 432 5555

Cape Town

8 Rondevallei Road, Hagley,
Kuilsvier, Western Cape
Tel +27 (0) 21 528 6500

Durban South

16 Stroude Place, Isipingo,
KwaZulu Natal
Tel +27 (0) 31 902 2677

East London

5 Ray Craib Crescent,
Beacon Bay, Eastern Cape
Tel +27 (0) 43 748 2558

Gauteng

Poplar Crescent, Lords View
Industrial Park, Klipfontein,
Chloorkop X66, Gauteng
Tel +27 (0) 10 601 6313

George

10 Ring Road, George Industrial,
George, Western Cape
Tel +27 (0) 44 695 0294

Kathu

33 Kalk Street, Industrial Area,
Kathu, Northern Cape
Tel +27 (0) 53 723 2194

Lephalale

Rietspruit Plot 23, Portion 46,
Witkop Road, Lephalale, Limpopo
Tel +27 (0) 14 763 7982

Margate

Industrial Road, Margate,
KwaZulu Natal
Tel +27 (0) 39 317 1708

Nelspruit

Erf 379, Rocky Drift,
Mpumalanga
Tel +27 (0) 13 758 1036

Newcastle

6 Schonland Street, Riverside
Industrial Area, Newcastle,
KwaZulu Natal
Tel +27 (0) 34 375 7697

Pietermaritzburg

Market Road Ext, Mkondeni,
Pietermaritzburg, KwaZulu Natal
Tel +27 (0) 33 346 1767

Polokwane

62 Goud Street, Laboria,
Polokwane, Limpopo
Tel +27 (0) 15 293 0450

Port Elizabeth

4 Kendle Street, Neave Industrial
Area, Eastern Cape
Tel +27 (0) 41 453 2317

Richards Bay

111 Alluminia Alley, Alton Industrial
North, KwaZulu Natal
Tel +27 (0) 35 751 1140

Rustenburg

3 Ferro Street, Rustenburg,
North West Province
Tel +27 (0) 14 538 2540

Vereeniging

Cnr Telford & Van Riebeeck Street,
Duncanville, Gauteng
Tel +27 (0) 16 455 1611

Witbank

TP66 Geodesic Crescent, Marelden
Ext 3, Techno Park, Witbank,
Mpumalanga
Tel +27 (0) 13 690 2833

Head Office

181 Barbara Road,
Elandsfontein, Gauteng
PO Box 669, Isando, 1660
Tel +27 (0) 11 842 4000



kwik-deck

Waco Africa / Head Office: PO Box 669, Isando, 1600.
181 Barbara Road, Elandsfontein. Tel: 011 842 4000



form-scaff

Technical Advice Centre 0800 20 50 29 / 011 842 4011
www.formscaff.com