

Product Catalogue
Horizontal Formwork

FS kwik-deck



FS form-scaff

Formwork & Scaffolding
Solutions

We are
WACO



Form-Scaff is South Africa's leading supplier of formwork, falsework and scaffolding to the construction and civil engineering industries. Form-Scaff not only manufactures, hires and sells world-class products, but also provides the design skills, technical advice and support that comes with having 50 years experience and more than 30 branches locally and internationally.

We are Waco International

Form-Scaff is part of Waco International, a focused equipment rental and industrial services business with operations in Africa (South Africa and other sub-Saharan African countries), Australasia (Australia and New Zealand) and the United Kingdom.

The Group provides services in the areas of formwork, shoring and scaffolding, insulation, painting and blasting, hydraulics and suspended access platforms, relocatable modular buildings, portable sanitation products and integrated hygiene services.

Disclaimer:

Copyright in this catalogue vests in Form-Scaff, a division of Waco Africa (Proprietary) Limited ("Form-Scaff") and extends inter alia, to the making of copies in whole or in part without the prior written consent of Form-Scaff.

While every effort has been made to ensure the accuracy of the information in this catalogue, we cannot accept responsibility for any errors which may occur as a result of reliance on the contents of this catalogue and are not liable for any loss of any nature that may be incurred as a result of such reliance. Details of any of the products may change without prior notice.

The customer must ensure that 'good practice' is adopted on site by competent persons and that the products shown in this catalogue are erected, used and stripped in accordance with the relevant Codes of Practice and the OHS Act and Regulations 85 of 1993. This catalogue does not contain any design detail but lists and depicts the items available under this product range. The responsibility for design is the responsibility of the customer.

Note: The colours used in this document are for illustrative purposes only and may differ on actual products

Contents

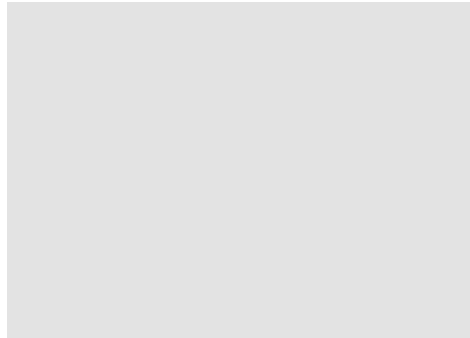
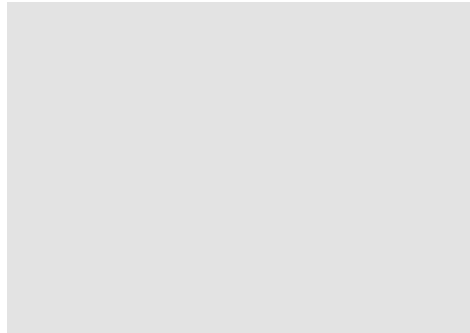


kwik-deck

- Page 2** Kwik-Deck Overview
- Page 3** General Assembly
- Page 4** Supportwork - Props
- Page 5** Trusses & Tri-Pods
- Page 6** Supportwork - Kwik-Stage
- Page 7** Ledgers & Tubes
- Page 8** Drop-Heads
- Page 9** Beams and Panels
- Page 10** Patching
- Page 12** Cantilevers
- Page 15** Guardrails
- Page 16** Slab-Edges

Contact Details

- Page 17** Head Office & Branches





kwik-deck



Kwik-Deck Decking

Kwik-Deck is a high quality, fast erect and strip decking system that combines the tried and tested features of the old Tim-Deck system with innovative new thinking and design.

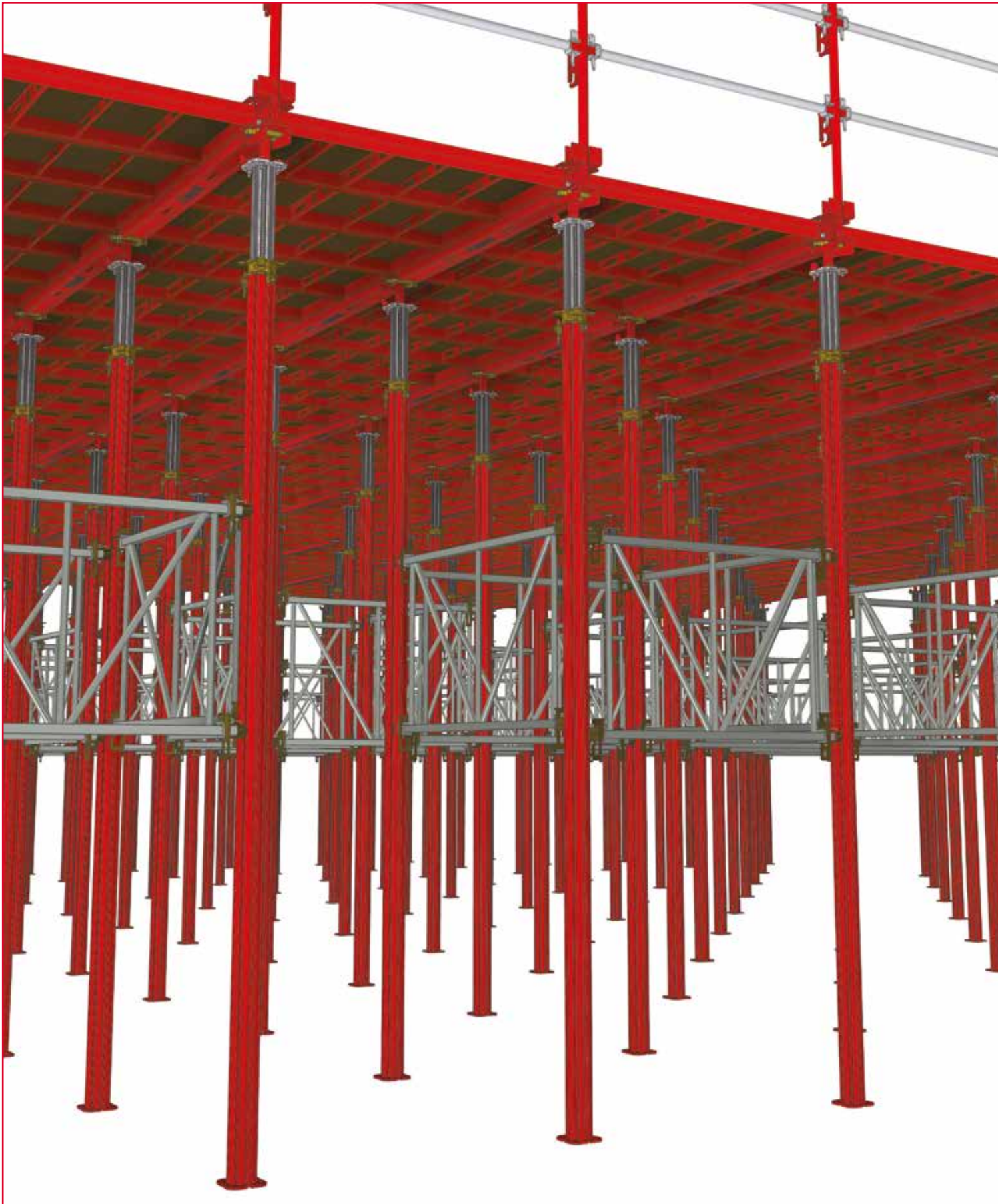
Compatibility on all three supportwork systems, Kwik-Stage, Alu-Up Props and BS Props makes Kwik-Deck the most versatile decking system available in South Africa. Locally manufactured in our ISO 9001/2000 accredited factory, the machined interlocking fit between Panel, Beam and Drop-Head not only ensures a smooth concrete finish, but also makes the system extremely safe from erection through to dismantling.

System Features

- Rigid interlocking between Panels, Beams and Drop-Heads.
- Compatible with three different supportwork systems.
- Stability of Kwik-Stage around the slab perimeter.
- The unique multiple support point Cantilever Bracket ensures that the grid always remains in the same aesthetically pleasing direction.
- 850mm safe cantilevered working platform.
- One product to do safe handrails around the deck as well as the slabs below.
- A complete and cost effective patching solution.



General Assembly



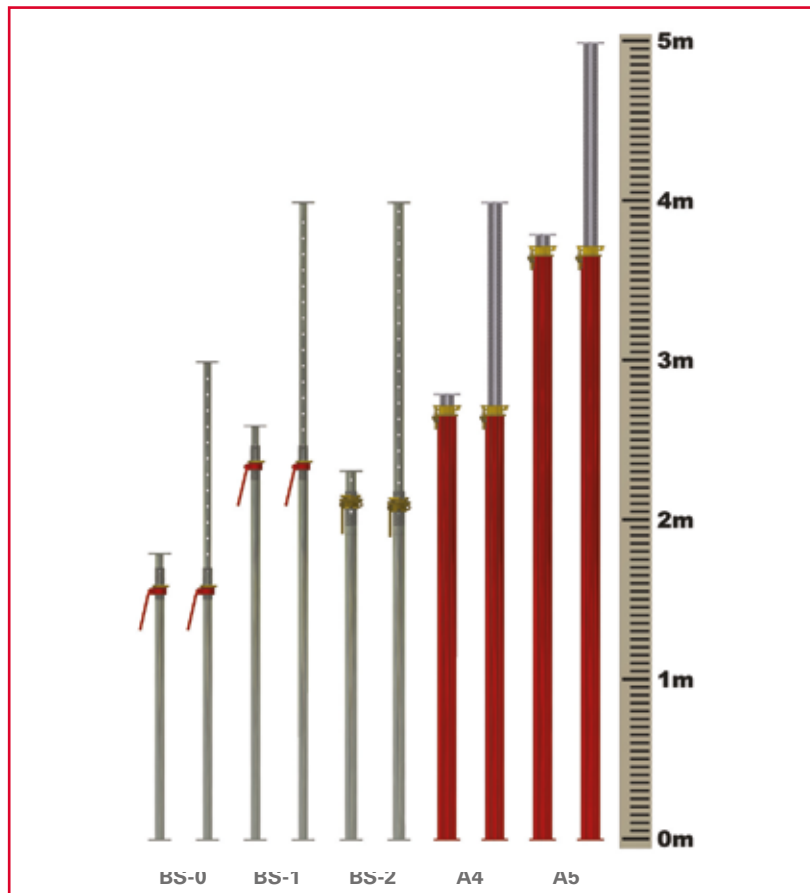
Supportwork - Props

BS Props

BS Props are used to support the Kwik-Deck system to a propping height of 4000mm.

| CODE | DESCRIPTION | MASS(kg) |
|---------|--------------------|----------|
| 5105007 | BS-0 PROP INNER | 8.6 |
| 5105008 | BS-0 PROP OUTER | 11.1 |
| 1520002 | BS-1 PROP INNER | 11.8 |
| 1520003 | BS-1 PROP OUTER | 16.4 |
| 1520006 | BS-2 PROP COMPLETE | 29.8 |

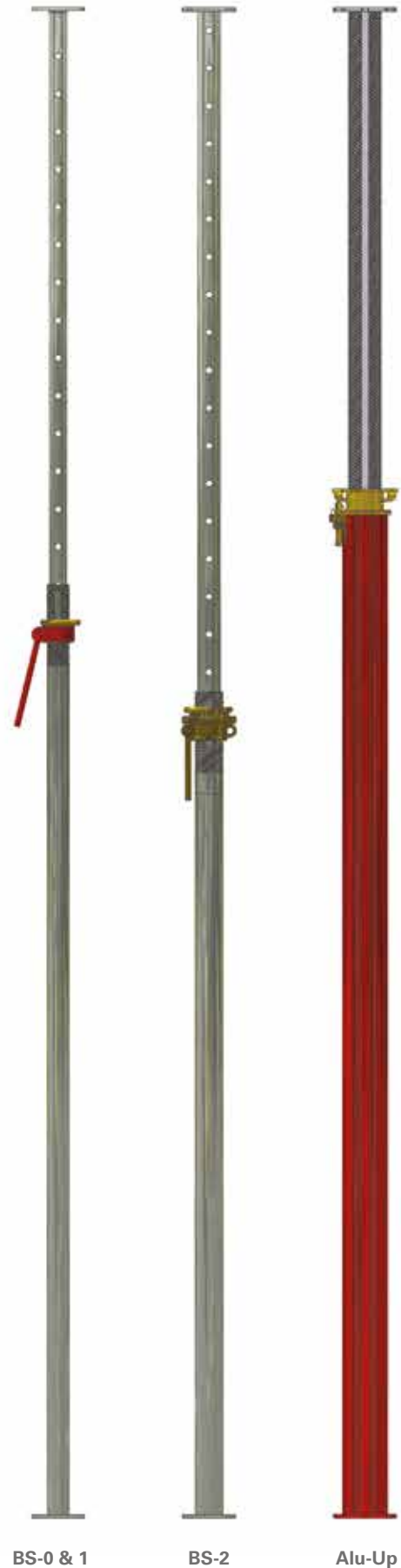
Prop Heights



Alu-Up Props

Alu-Up Props are used to support the Kwik-Deck system to a propping height of 5000mm (Single Prop).

| CODE | DESCRIPTION | MASS(kg) |
|---------|---------------|----------|
| 5105199 | ALU-UP 4 PROP | 25.0 |
| 5105200 | ALU-UP 5 PROP | 29.3 |



Alu-Up Prop Stubs and Extensions

Alu-Up Prop Extensions are used to extend the propping height in small intervals. The Stubs are bolted to the bottom of all Props as a protection piece.

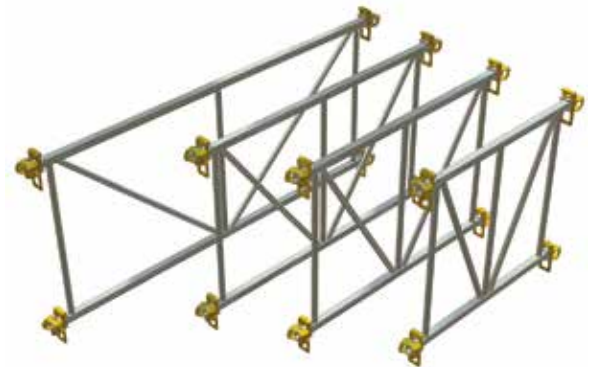
| CODE | DESCRIPTION | MASS(kg) |
|---------|-----------------------|----------|
| 5105205 | ALU-UP EXTENSION 1000 | 12.2 |
| 5105204 | ALU-UP EXTENSION 500 | 7.5 |
| 5105210 | ALU-UP STUB 150 | 4.3 |



Alu-Up Trusses

Alu-Up Trusses are used to create towers and brace the Alu-Up Props. It further enhances the stability and loading capacity of the Props.

| CODE | DESCRIPTION | MASS(kg) |
|---------|-------------------|----------|
| 5105206 | ALU-UP TRUSS 2500 | 32.3 |
| 5105207 | ALU-UP TRUSS 1800 | 26.1 |
| 5105208 | ALU-UP TRUSS 1600 | 24.4 |
| 5105209 | ALU-UP TRUSS 1294 | 21.8 |
| 5105212 | ALU-UP TRUSS 900 | 15.8 |



BS Prop Tri-pods

BS Prop Tri-pods are used to keep the BS Props plumb during the erection phase.

| CODE | DESCRIPTION | MASS(kg) |
|---------|-----------------|----------|
| 1130017 | BS PROP TRI-POD | 10.1 |



Alu-Up Prop Tri-pods

Alu-Up Prop Tri-pods are used to keep the Alu-Up Props plumb during the erection phase.

| CODE | DESCRIPTION | MASS(kg) |
|---------|---------------------|----------|
| 5105201 | ALU-UP PROP TRI-POD | 15.7 |



Supportwork - Kwik-Stage

Jacks and Base Plates

BT Jacks are inserted into the ends of Kwik-Stage Standards to provide the required vertical height adjustment and to secure the Kwik-Deck Drop-Heads in position.

Kwik-Stage Base Plates are inserted into the bottom end of Kwik-Stage Standards to spread the load onto the bearing surface.

| CODE | DESCRIPTION | MASS(kg) |
|---------|---------------------------------|----------|
| 0135302 | KWIK-STAGE BT BASE PLATE | 1.6 |
| 0140335 | KWIK-STAGE 610 R/O BT BASE JACK | 4.2 |



Kwik-Stage Standards

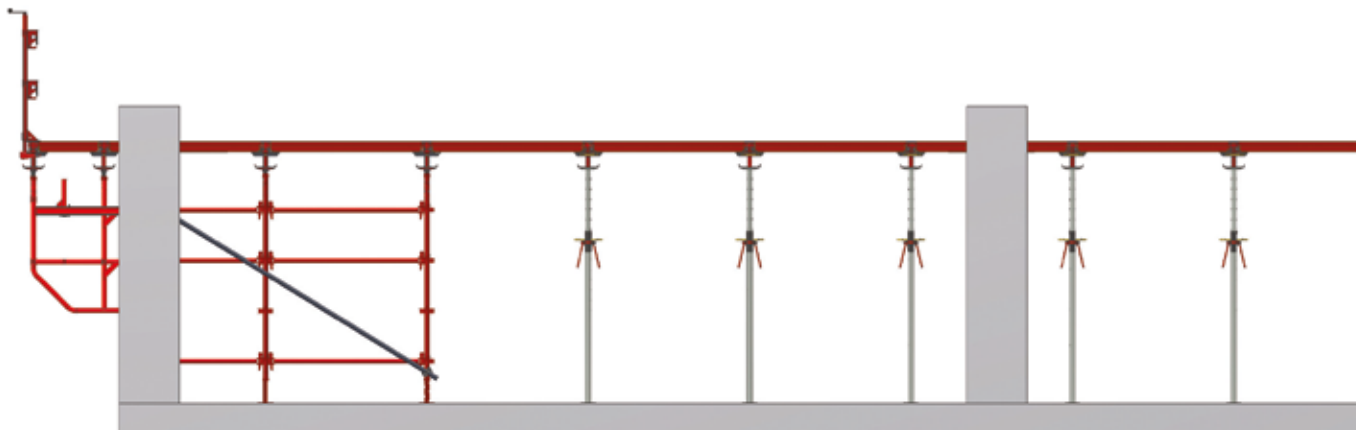
Kwik-Stage Standards make-up the vertical supports for formwork and access.

| CODE | DESCRIPTION | MASS(kg) |
|---------|------------------------------------|----------|
| 1105005 | KWIK-STAGE STANDARD 3000 | 15.5 |
| 1105004 | KWIK-STAGE STANDARD 2500 | 12.9 |
| 1105003 | KWIK-STAGE STANDARD 2000 | 10.3 |
| 1105002 | KWIK-STAGE STANDARD 1500 | 7.7 |
| 1105001 | KWIK-STAGE STANDARD 1000 | 5.2 |
| 1105000 | KWIK-STAGE STANDARD 500 | 2.6 |
| 1105045 | KWIK-STAGE STANDARD 250 C/W SOCKET | 2.6 |



Application - Kwik-Stage Supportwork

Two bays of Kwik-Stage are used around the perimeter of all Kwik-Deck slabs, irrespective of the supportwork system used. This provides stability to the entire structure and facilitates a safe, cantilevered working platform around the perimeter when using the Kwik-Deck Cantilever Bracket. Kwik-Stage further acts as a safe and secure handrail barrier around the deck. It is also used as the setting-out point for the entire deck - starting at the four corner columns working inwards and leaving only two main patch lines.



Kwik-Stage Ledgers

Kwik-Stage Ledgers are horizontal members used to keep the Kwik-Stage Standards in the vertical position.

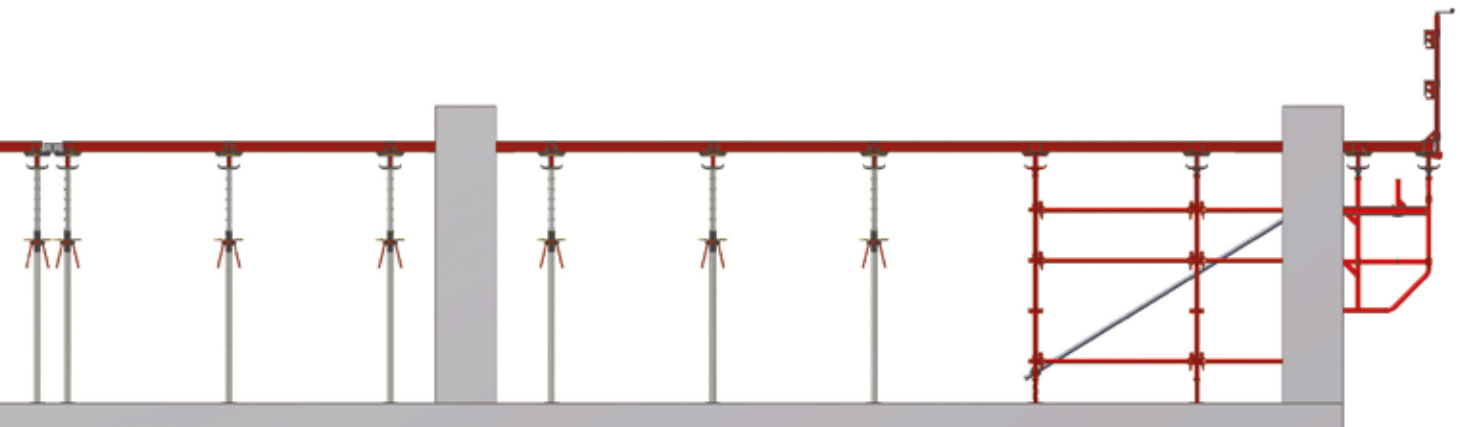
| CODE | DESCRIPTION | MASS(kg) |
|---------|------------------------|----------|
| 1105021 | KWIK-STAGE LEDGER 2500 | 9.0 |
| 1105022 | KWIK-STAGE LEDGER 2000 | 7.3 |
| 1105018 | KWIK-STAGE LEDGER 1800 | 6.6 |
| 1105034 | KWIK-STAGE LEDGER 1600 | 5.7 |
| 1105024 | KWIK-STAGE LEDGER 1294 | 5.0 |
| 1105027 | KWIK-STAGE LEDGER 1000 | 3.4 |
| 1105049 | KWIK-STAGE LEDGER 925 | 3.2 |
| 1105029 | KWIK-STAGE LEDGER 900 | 3.1 |
| 1105037 | KWIK-STAGE LEDGER 700 | 2.6 |
| 1105032 | KWIK-STAGE LEDGER 600 | 2.4 |



Scaffold Tubes and Swivel Couplers

Scaffold Tubes are used for a variety of applications in supportwork and access scaffolding, i.e. bracing, lacing, handrails etc. Swivel Couplers attach Scaffold Tubes to Standards and Jacks in any direction.

| CODE | DESCRIPTION | MASS(kg) |
|---------|------------------------|----------|
| 1905151 | SCAFFOLD TUBE 6100 | 22.7 |
| 1905098 | SCAFFOLD TUBE 5500 | 20.5 |
| 1905097 | SCAFFOLD TUBE 5000 | 18.6 |
| 1905096 | SCAFFOLD TUBE 4500 | 16.7 |
| 1905095 | SCAFFOLD TUBE 4000 | 14.9 |
| 1905094 | SCAFFOLD TUBE 3500 | 13.0 |
| 1905093 | SCAFFOLD TUBE 3000 | 11.2 |
| 1905092 | SCAFFOLD TUBE 2500 | 9.3 |
| 1905091 | SCAFFOLD TUBE 2000 | 7.4 |
| 1905090 | SCAFFOLD TUBE 1500 | 5.6 |
| 1905089 | SCAFFOLD TUBE 1000 | 3.7 |
| 1905088 | SCAFFOLD TUBE 500 | 1.9 |
| 1905059 | 50 X 50 SWIVEL COUPLER | 1.5 |
| 1905100 | 38 X 48 SWIVEL COUPLER | 1.2 |



Drop-Heads

Kwik-Deck Drop-Head

The Kwik-Deck Drop-Head is used to support the Kwik-Deck Beam and Patch Plates, as well as to facilitate the Kwik-Strip action of the system.

| CODE | DESCRIPTION | MASS(kg) |
|-------|---------------------|----------|
| 32001 | KWIK-DECK DROP-HEAD | 6.9 |



Kwik-Deck Drop-Head on Alu-Up



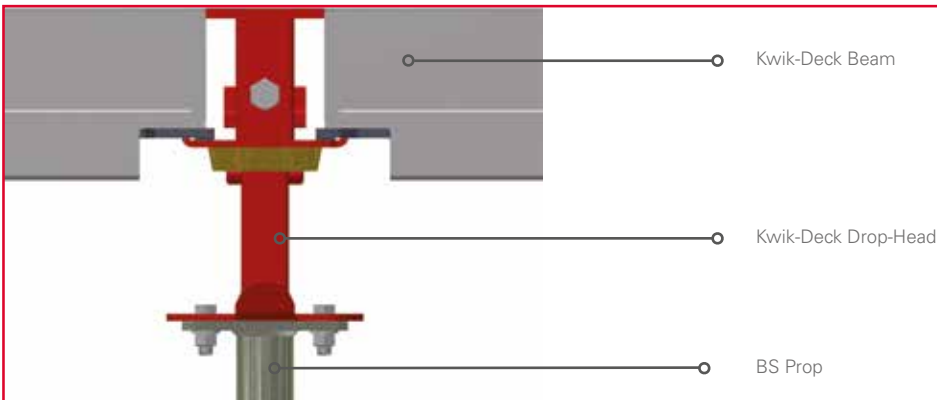
Kwik-Deck Drop-Head on BS Prop



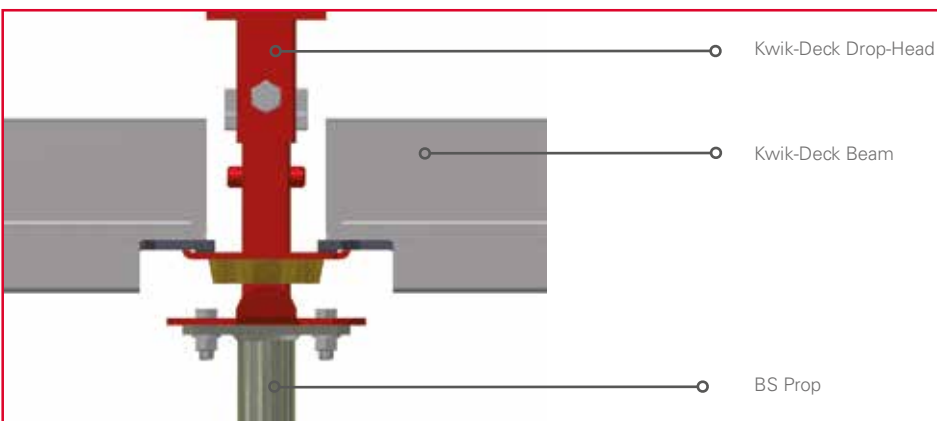
Kwik-Deck Drop-Head on Kwik-Stage



Kwik-Deck Drop-Head Unstripped Position



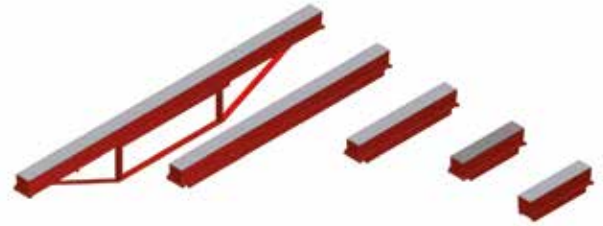
Kwik-Deck Drop-Head Stripped Position



Kwik-Deck Beams

Kwik-Deck Beams span between two Drop-Heads and support the Kwik-Deck Panels and Patch Beams. The Kwik-Deck Direction Change Beam allows the beam grid to change when the one end is hooked into the gutter of another beam.

| CODE | DESCRIPTION | MASS(kg) |
|-------|---------------------------------|----------|
| 31004 | KWIK-DECK BEAM 2500 | 31.7 |
| 31003 | KWIK-DECK BEAM 1800 | 21.7 |
| 31006 | KWIK-DECK BEAM 1500 | 18.1 |
| 31007 | KWIK-DECK BEAM 1200 | 14.5 |
| 31002 | KWIK-DECK BEAM 900 | 11.0 |
| 31001 | KWIK-DECK BEAM 600 | 7.6 |
| 31005 | KWIK-DECK DIRECTION CHANGE BEAM | 7.4 |



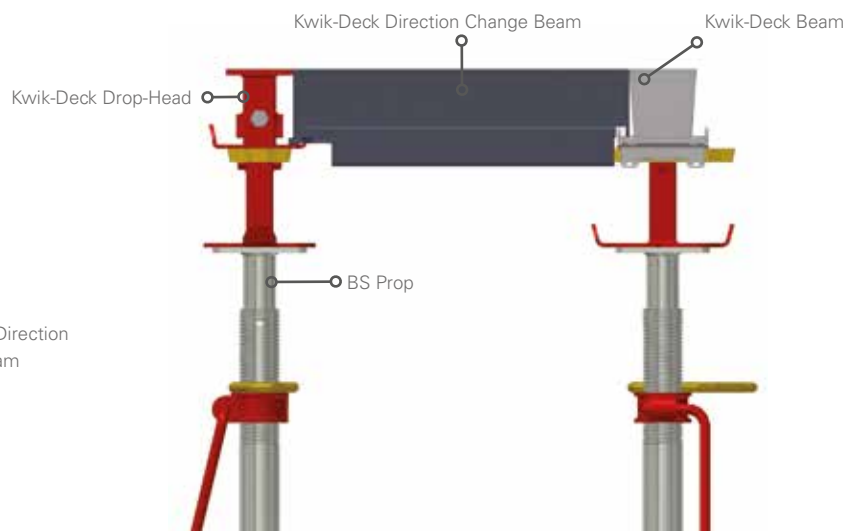
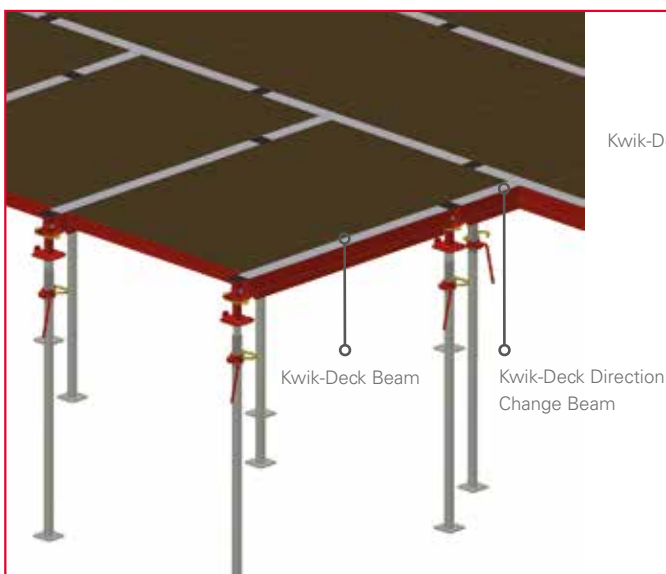
Kwik-Deck Panels

Kwik-Deck Panels are used to form a flat deck, supported by two Kwik-Deck Beams.

| CODE | DESCRIPTION | MASS(kg) |
|-------|----------------------------|----------|
| 30001 | KWIK-DECK PANEL 1500 X 600 | 19.4 |
| 30002 | KWIK-DECK PANEL 1500 X 300 | 12.9 |
| 30003 | KWIK-DECK PANEL 1500 X 150 | 9.3 |
| 30004 | KWIK-DECK PANEL 1194 X 600 | 15.6 |
| 30005 | KWIK-DECK PANEL 1194 X 300 | 10.3 |
| 30006 | KWIK-DECK PANEL 1194 X 150 | 7.3 |
| 30007 | KWIK-DECK PANEL 800 X 600 | 11.2 |
| 30008 | KWIK-DECK PANEL 800 X 300 | 7.3 |
| 30009 | KWIK-DECK PANEL 800 X 150 | 5.1 |
| 37001 | KWIK-DECK CORNER PANEL | 12.0 |



Application - Direction Change Beam

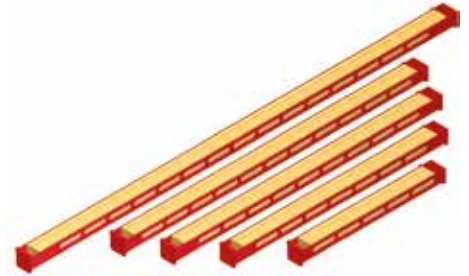


Patching

Kwik-Deck Patch Beams

Kwik-Deck Patch Beams facilitate patching in all directions. The Patch Beams are supported on either the gutter of the Kwik-Deck Beam, the gutter of another Patch Beam or on the Kwik-Deck Patch Plate.

| CODE | DESCRIPTION | MASS(kg) |
|-------|------------------------------|----------|
| 33006 | KWIK-DECK PATCH BEAM 2500 | 21.5 |
| 33005 | KWIK-DECK PATCH BEAM 1800 | 15.6 |
| 33004 | KWIK-DECK PATCH BEAM 1500 | 17.7 |
| 33003 | KWIK-DECK PATCH BEAM 1194 | 14.2 |
| 33002 | KWIK-DECK PATCH BEAM 800/900 | 9.6 |
| 33001 | KWIK-DECK PATCH BEAM 600 | 6.9 |



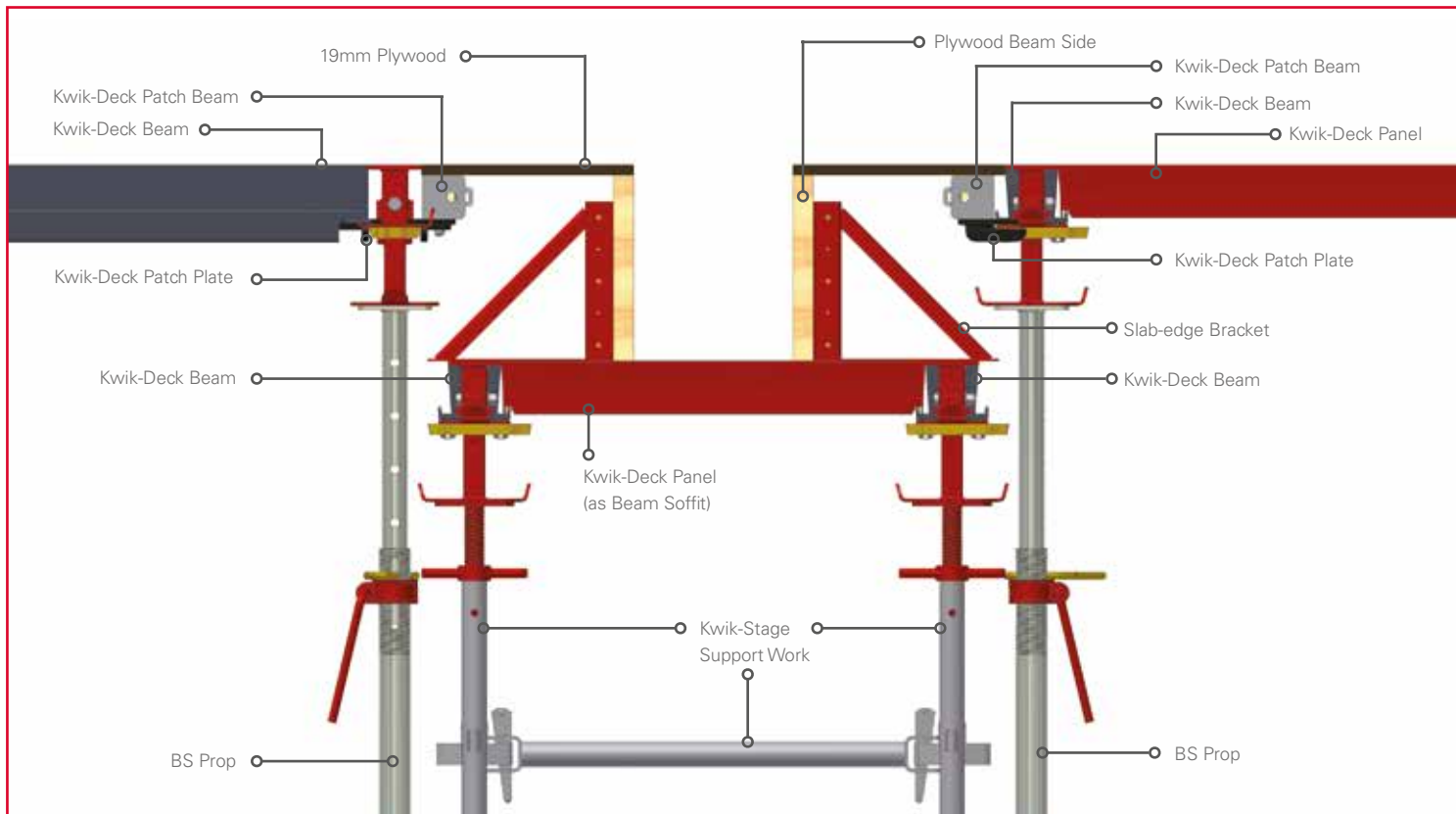
Kwik-Deck Patch Plate

The Kwik-Deck Patch Plate slides onto the Kwik-Deck Drop-Head to support a Patch Beam in any one of four directions. This leaves 19mm from the top of the Patch Beam to the deck for placing of plywood.

| CODE | DESCRIPTION | MASS(kg) |
|-------|-----------------------|----------|
| 33007 | KWIK-DECK PATCH PLATE | 2.5 |



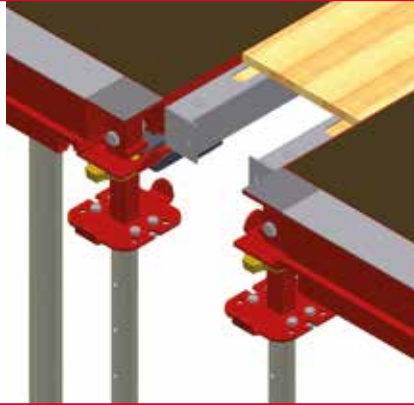
General - Patching Solution Facilities Downstand Beams





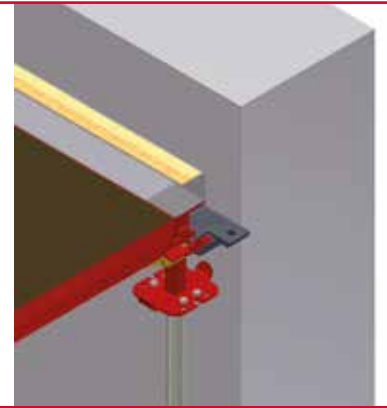
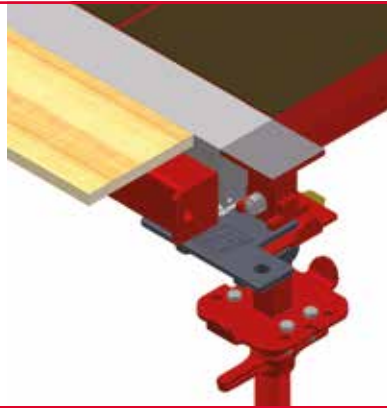
Kwik-Deck Patching Alongside Panels

Patch Beams can run alongside the length of any Kwik-Deck Panel. Patch Beams are hooked onto Patch Plates to support plywood patching.



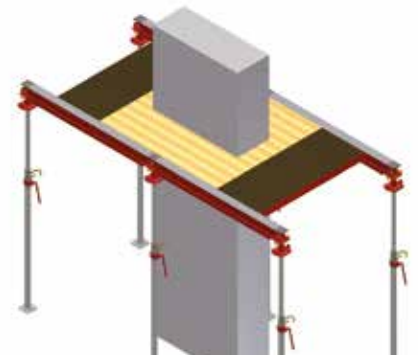
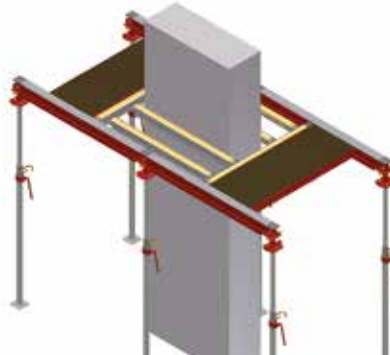
Kwik-Deck Patching Alongside Beams

Patch Beams can run alongside the length of any Kwik-Deck Beam. Patch Beams are hooked onto Patch Plates to support plywood patching.



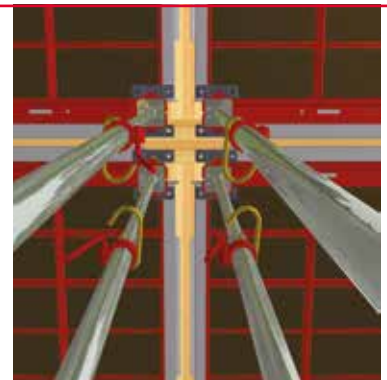
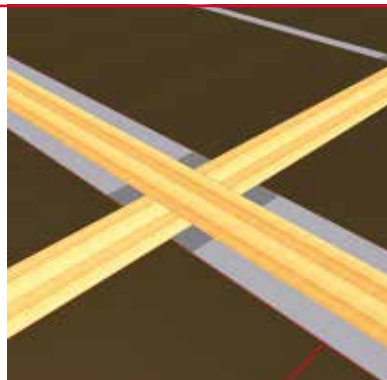
Kwik-Deck Patching Alongside Columns

Patch Beams can hook into the gutter of any Kwik-Deck Beam or into the gutter of another Patch Beam when patching around columns.



Kwik-Deck Patching in Two Directions

Patching is simple, even when two patch lines meet.



Cantilevers

Kwik-Deck Cantilever Bracket

The Kwik-Deck Cantilever Bracket simply hooks onto the Kwik-Stage Standard, creating a safe cantilevered working platform. Hook-on Boards can be placed onto the Cantilever Bracket to assist in the safe erection and dismantling of the Kwik-Deck system. Its unique multiple support points eliminate any direction change of the decking grid.

| CODE | DESCRIPTION | MASS(kg) |
|---------|------------------------------|----------|
| 39001 | KWIK-DECK CANTILEVER BRACKET | 25.7 |
| 1105076 | HOOK-ON BOARD 2500 | 20.4 |
| 1105079 | HOOK-ON BOARD 1800 | 15.5 |
| 1105075 | HOOK-ON BOARD 1600 | 14.1 |
| 1105070 | HOOK-ON BOARD 1294 | 11.6 |
| 1105065 | HOOK-ON BOARD 900 | 8.9 |



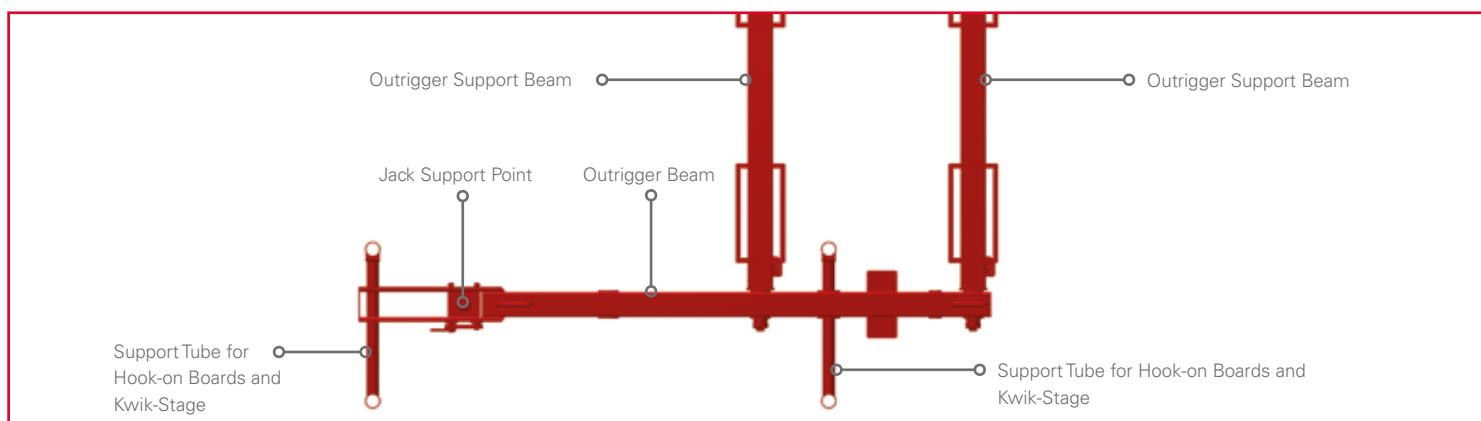
Kwik-Deck Outrigger

The Kwik-Deck Outrigger assembly creates an off-the-slab support point just outside the corner column. When used with the Kwik-Deck Cantilever Bracket, the ultimate corner solution is achieved – safe, stable and economical. It facilitates a safe, cantilevered working platform around the corner column on multi-story buildings without having to support it from ground level up. The Outrigger assembly is trapped between two poured slabs by placing Props onto the Kwik-Deck Outrigger Support Beams. Two cup-end tubes on the Outrigger Beam provide support for a Hook-on Board and a Kwik-Stage Cage to form a safe working platform, from where the off-the-slab supportwork can be recovered.

| CODE | DESCRIPTION | MASS(kg) |
|-------|----------------------------------|----------|
| 36001 | KWIK-DECK OUTRIGGER BEAM | 72.0 |
| 36002 | KWIK-DECK OUTRIGGER SUPPORT BEAM | 38.2 |

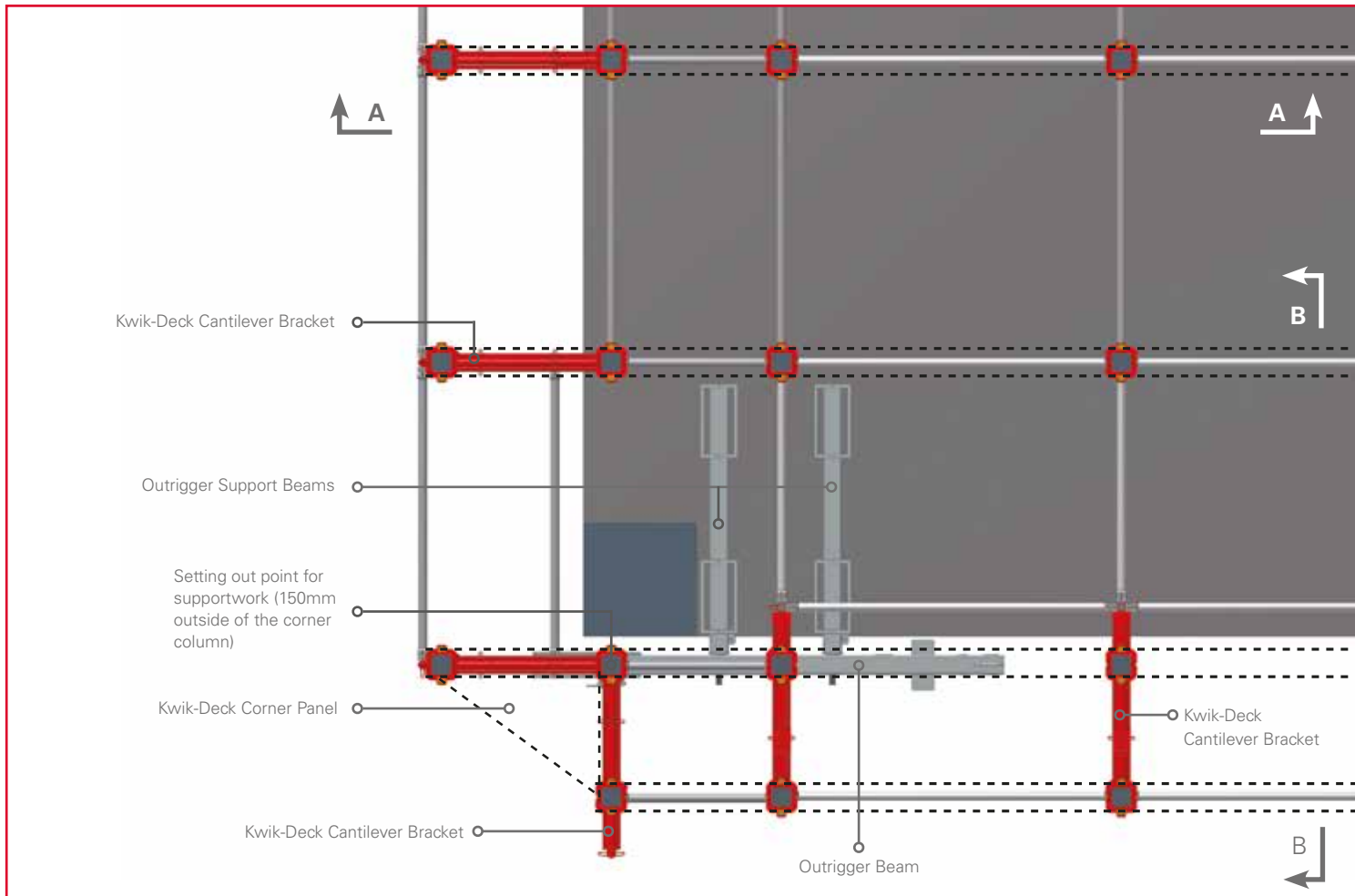


Application - Outrigger Beam

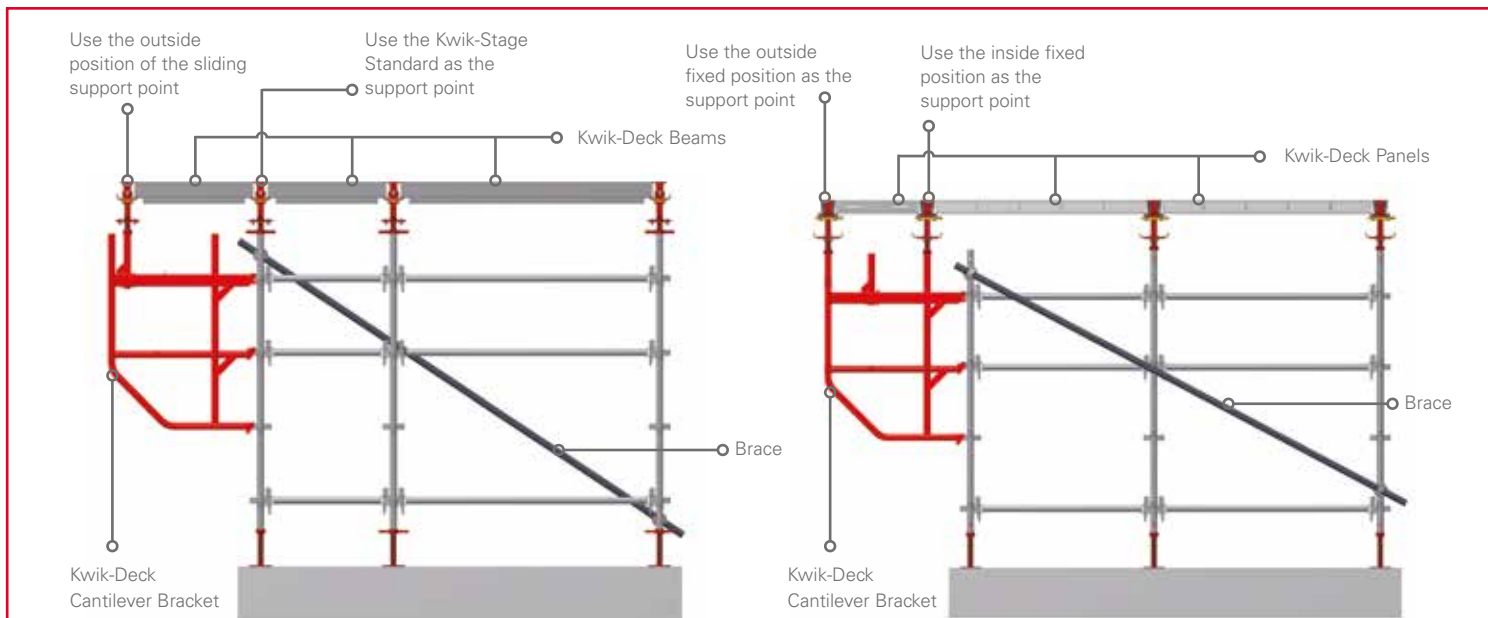




Application - Typical Kwik-Stage Layout for Columns up to 600mm

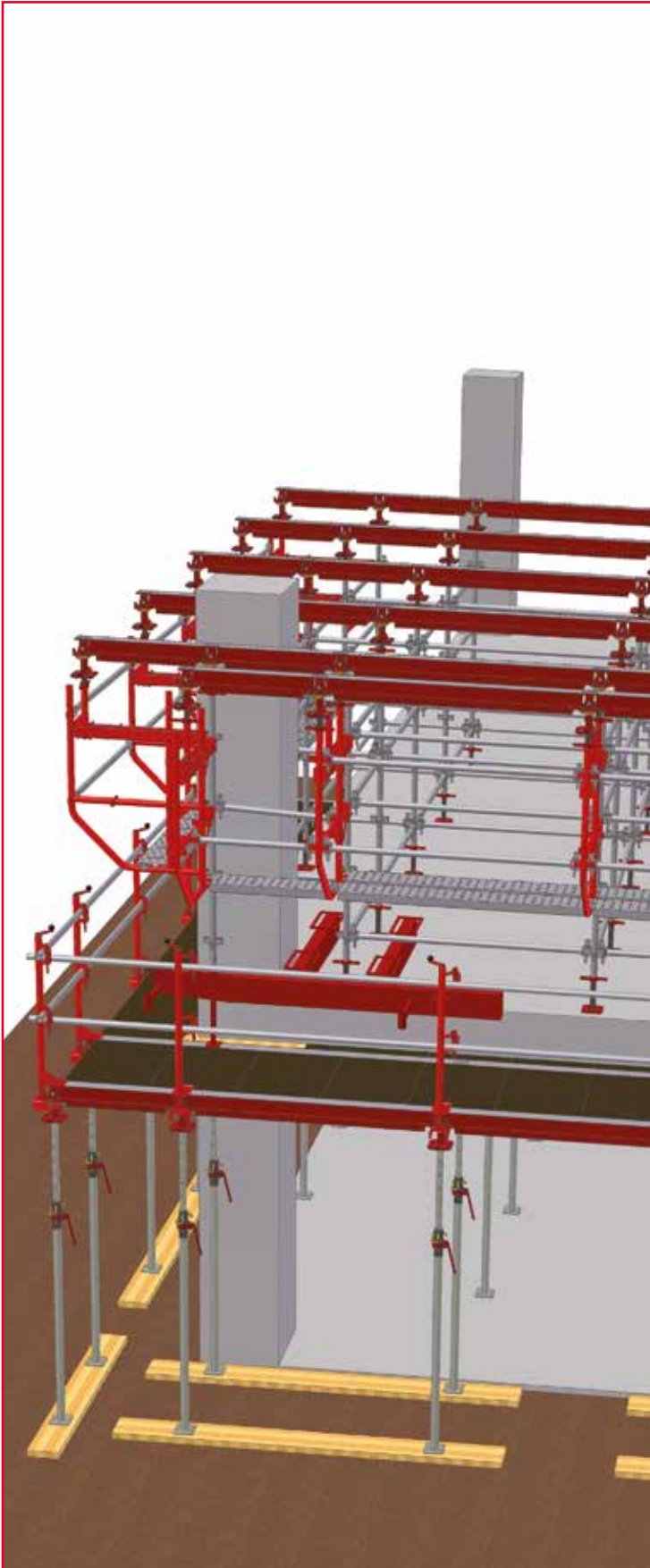


Application - Kwik-Stage Perimeter with Cantilevers

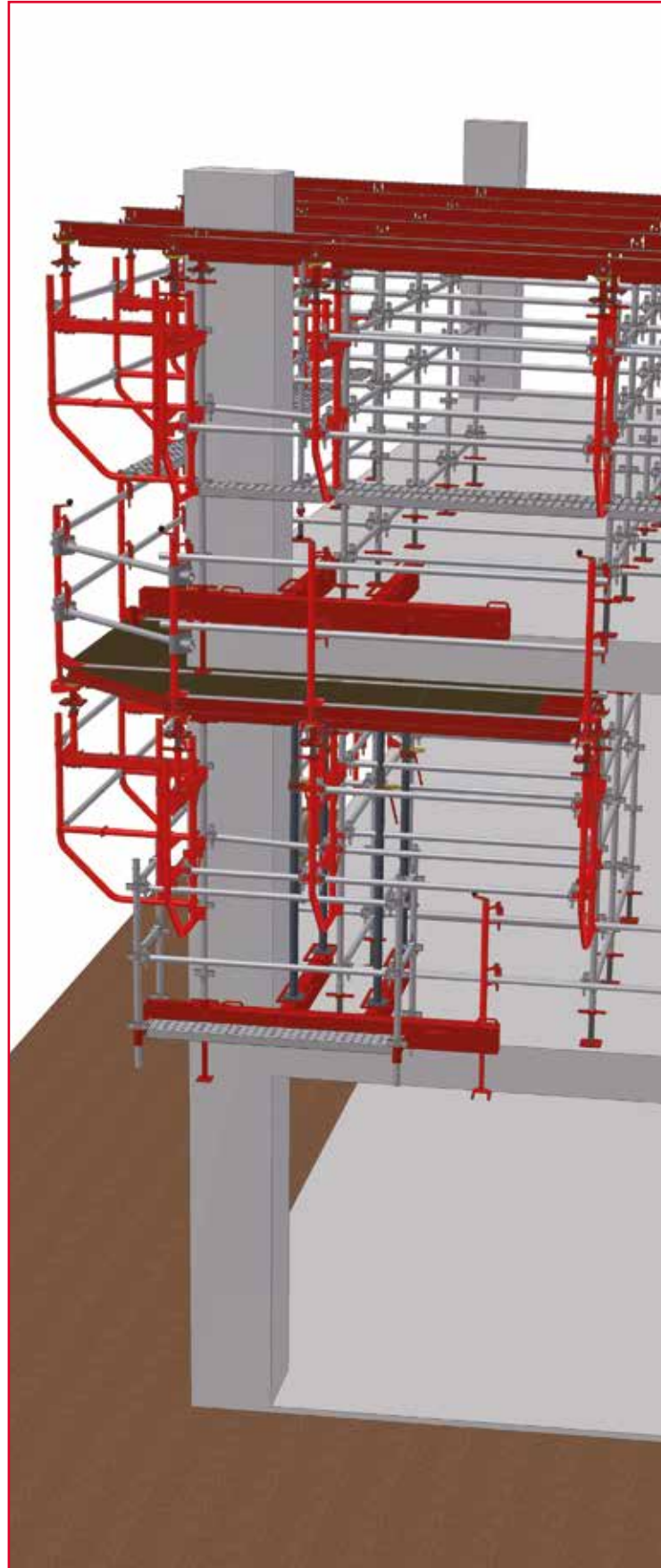


Note: 2 Bays of Kwik-Stage must be erected around the entire slab perimeter in the correct format. Overturning loads and concrete loads are safely transferred only if used in the prescribed format. Please contact your nearest Form-Scaff Design Office for a formwork layout.

Application - Cantilever Bracket and Outrigger Beam



Typical Second Floor Stage



Typical Third Floor Stage

Kwik-Deck Guardrail Bracket

The Kwik-Deck Guardrail Bracket is used to create a safe guardrail around the perimeter of the deck, by attaching it to the Kwik-Deck Drop-Head in any direction. Its unique design further allows it to be clamped on already cast slabs of up to 900mm deep as well as any other rectangular shaped objects.

| CODE | DESCRIPTION | MASS(kg) |
|---------|-----------------------------|----------|
| 1130239 | KWIK-DECK GUARDRAIL BRACKET | 15.3 |



Application - Kwik-Deck Guardrails

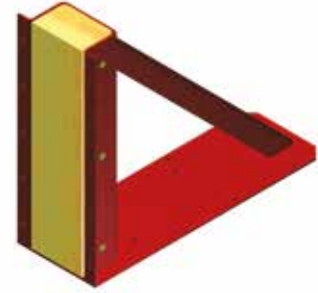


Slab-Edges

Slab-Edge Bracket

The 300mm high Slab-Edge Bracket facilitates the installation of slab stop-ends. Fastening the bracket to the Kwick-Deck Panel is done with either nails or screws. The slab-edge form (plywood) is fastened to the vertical timber insert.

| CODE | DESCRIPTION | MASS(kg) |
|-------|-------------------|----------|
| 37003 | SLAB-EDGE BRACKET | 4.3 |



Application - Slab-Edges



International Branches

Ghana - Accra

Plot 29, Off Spintex Road, Tema
Motorway Industrial Area,
Accra, Ghana
Tel +233 30397 3722 /
+233 20868 1651

Kenya - Nairobi

Plot 15081/5/27 Old Airport North
Road, Nairobi, Kenya
Tel +254 724 004 781 /
+254 718 220 412

Mauritius - Port Louis

Anse Courtois Street, Montebello,
Pailles, Mauritius
Tel +230 286 6175 /
+230 5940 2551

Mozambique - Palma

N'Cumbi Road No. R762,
Palma, Mozambique
Tel +258 86 109 6443 /
+258 84 774 3788

Mozambique - Pemba

Estrada Nacional EN106, Muxara,
Pemba, Cabo Delgado, Mozambique
Tel: +258 84 312 4146

Namibia - Swakopmund

608 Nelson Mandela Avenue,
Swakopmund, Namibia
Tel +264 64 46 3677 /
+264 64 46 2720

Namibia - Windhoek

Cnr Nickle & Michelle McClean Street,
Prosperita, Windhoek, Namibia
Tel +264 61 425 350 /
+264 081 164 9806

Swaziland - Matsapha

Lot 814, King Mswati III Ave,
Matsapha, Swaziland
Tel +268 25 18 8360 /
+268 7668 5337

Tanzania - Dar es Salaam

Cnr Mwaikibaki Road & Kilimani
Close, Plot 1034/5 Mbezi Kawe,
Dar es Salaam, Tanzania
Tel +255 75 638 8115 /
+255 74 299 8022

Zambia - Kitwe

Plot 16, Karibu Business Park,
Kitwe, Zambia
Tel +260 966 880009 /
+ 260966 923 854

Zambia - Lusaka

Plot 397 A/3/B Kufue Road,
Lusaka, Zambia
Tel +260 968 491061 /
+ 260966 923 854

South African Branches

Ballito

Labora Terra Industrial Park,
Shakas Rock Road, Umhlali,
Ballito, KwaZulu Natal
Tel +27 (0) 32 947 9430

Bloemfontein

26 Tibbie Visser Street, Estoire
Small Holdings District,
Bloemfontein, Free State
Tel +27 (0) 51 432 5555

Cape Town

8 Rondevallei Road, Hagley,
Kuilsvier, Western Cape
Tel +27 (0) 21 528 6500

Durban South

16 Stroude Place, Isipingo,
KwaZulu Natal
Tel +27 (0) 31 902 2677

East London

5 Ray Craib Crescent,
Beacon Bay, Eastern Cape
Tel +27 (0) 43 748 2558

Gauteng

Poplar Crescent, Lords View
Industrial Park, Klipfontein,
Chloorkop X66, Gauteng
Tel +27 (0) 10 601 6313

George

10 Ring Road, George Industrial,
George, Western Cape
Tel +27 (0) 44 695 0294

Kathu

33 Kalk Street, Industrial Area,
Kathu, Northern Cape
Tel +27 (0) 53 723 2194

Lephalale

Rietspruit Plot 23, Portion 46,
Witkop Road, Lephalale, Limpopo
Tel +27 (0) 14 763 7982

Margate

Industrial Road, Margate,
KwaZulu Natal
Tel +27 (0) 39 317 1708

Nelspruit

Erf 379, Rocky Drift,
Mpumalanga
Tel +27 (0) 13 758 1036

Newcastle

6 Schonland Street, Riverside
Industrial Area, Newcastle,
KwaZulu Natal
Tel +27 (0) 34 375 7697

Pietermaritzburg

Market Road Ext, Mkondeni,
Pietermaritzburg, KwaZulu Natal
Tel +27 (0) 33 346 1767

Polokwane

62 Goud Street, Laboria,
Polokwane, Limpopo
Tel +27 (0) 15 293 0450

Port Elizabeth

4 Kendle Street, Neave Industrial
Area, Eastern Cape
Tel +27 (0) 41 453 2317

Richards Bay

111 Alluminia Alley, Alton Industrial
North, KwaZulu Natal
Tel +27 (0) 35 751 1140

Rustenburg

3 Ferro Street, Rustenburg,
North West Province
Tel +27 (0) 14 538 2540

Vereeniging

Cnr Telford & Van Riebeeck Street,
Duncanville, Gauteng
Tel +27 (0) 16 455 1611

Witbank

TP66 Geodesic Crescent, Marelden
Ext 3, Techno Park, Witbank,
Mpumalanga
Tel +27 (0)13 690 2833

Head Office

181 Barbara Road,
Elandsfontein, Gauteng
PO Box 669, Isando, 1660
Tel +27 (0) 11 842 4000



kwik-deck

Waco Africa / Head Office: PO Box 669, Isando, 1600.
181 Barbara Road, Elandsfontein. Tel: 011 842 4000



form-scaff

Technical Advice Centre 0800 20 50 29 / 011 842 4011
www.formscaff.com