

**Product Catalogue**  
**Vertical Formwork**





Form-Scaff is South Africa's leading supplier of formwork, falsework and scaffolding to the construction and civil engineering industries. Form-Scaff not only manufactures, hires and sells world-class products, but also provides the design skills, technical advice and support that comes with having 50 years experience and more than 30 branches locally and internationally.

### **We are Waco International**

Form-Scaff is part of Waco International, a focused equipment rental and industrial services business with operations in Africa (South Africa and other sub-Saharan African countries), Australasia (Australia and New Zealand) and the United Kingdom.

The Group provides services in the areas of formwork, shoring and scaffolding, insulation, painting and blasting, hydraulics and suspended access platforms, relocatable modular buildings, portable sanitation products and integrated hygiene services.

#### **Disclaimer:**

Copyright in this catalogue vests in Form-Scaff, a division of Waco Africa (Proprietary) Limited ("Form-Scaff") and extends inter alia, to the making of copies in whole or in part without the prior written consent of Form-Scaff.

While every effort has been made to ensure the accuracy of the information in this catalogue, we cannot accept responsibility for any errors which may occur as a result of reliance on the contents of this catalogue and are not liable for any loss of any nature that may be incurred as a result of such reliance. Details of any of the products may change without prior notice.

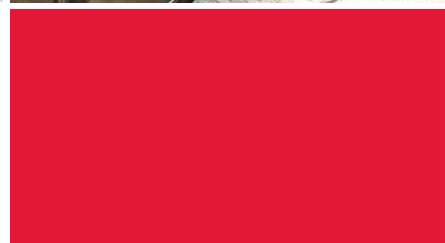
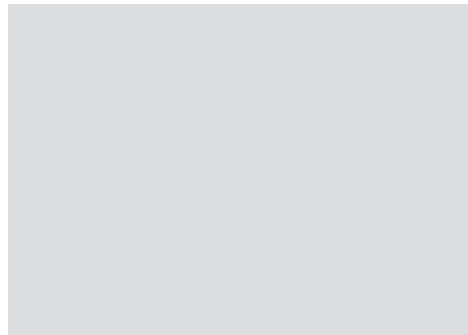
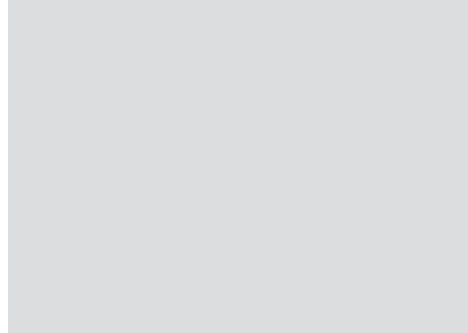
The customer must ensure that 'good practice' is adopted on site by competent persons and that the products shown in this catalogue are erected, used and stripped in accordance with the relevant Codes of Practice and the OHS Act and Regulations 85 of 1993. This catalogue does not contain any design detail but lists and depicts the items available under this product range. The responsibility for design is the responsibility of the customer.

**Note:** The colours used in this document are for illustrative purposes only and may differ on actual products

# Contents



- Page 2** Tifa Overview
- Page 3** General Assembly
- Page 4** Panels
- Page 5** Secondary Panels
- Page 6** Clamps
- Page 8** Stripping & Infills
- Page 9** Stop-ends
- Page 10** Ties
- Page 12** Propping
- Page 14** Access
- Page 16** Lifting & Levelling
- Page 18** Single Sided Walls
- Page 20** Fittings
  
- Contact Details**
- Page 21** Head Office & Branches





tifa



## Tifa Walls

Tifa is a heavy duty crane handled wall formwork system and the panels are designed to withstand concrete pressures of up to 60kN/m<sup>2</sup>.

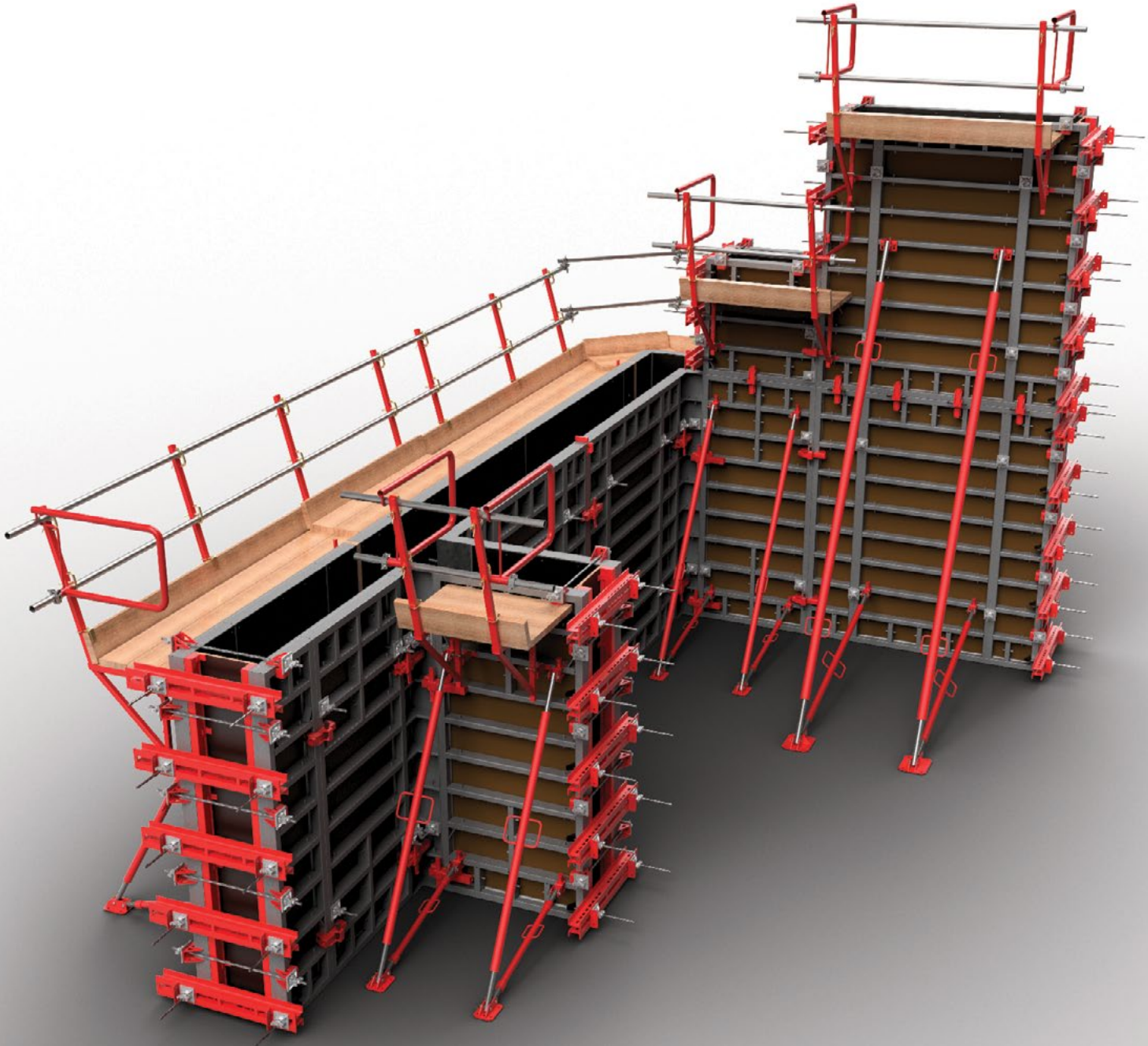
The steel frame, timber faced panels produce high quality concrete finishes.

With fewer Ties and Clamps than traditional steel formwork systems, erection and dismantling time are significantly reduced.

### System Features

- Rigid heavy duty hollow section steel frame.
- Hot dip galvanised for durability and low maintenance.
- Variety of Panel lengths and widths.
- Panels can be gang-formed to an overall size of 26m<sup>2</sup>.
- Complemented with a full range of Working Platforms, Push-Pull Props and Tie Applications.
- The Tifa system is fully compatible with Tifa-Lite and Tifa-Flex.

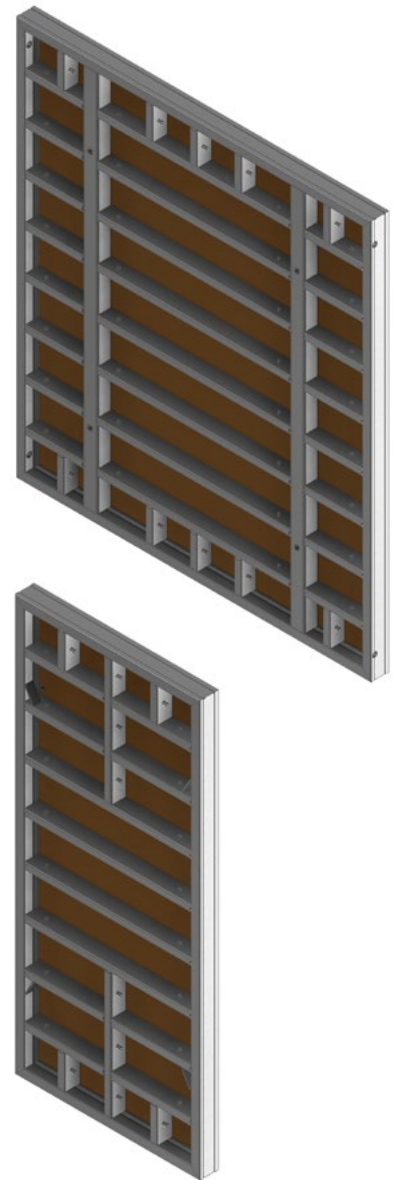
## General Assembly



## Tifa Panels

Tifa Panels are used to form the straight sides of double sided or single sided concrete walls.

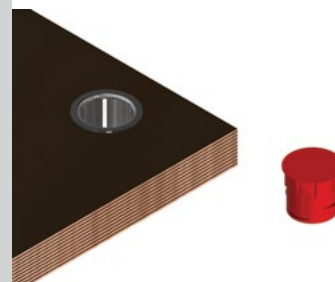
CODE	DESCRIPTION	MASS(kg)
5105001	TIFA PANEL 2700 X 2400	440.0
5105002	TIFA PANEL 2700 X 1200	195.0
5105003	TIFA PANEL 2700 X 900	148.0
5105004	TIFA PANEL 2700 X 600	113.0
5105006	TIFA PANEL 2700 X 450	93.0
5105005	TIFA PANEL 2700 X 300	76.0
5105000	TIFA PANEL 1200 X 1200	96.0
5105010	TIFA PANEL 1200 X 900	78.0
5105011	TIFA PANEL 1200 X 600	58.0
5105020	TIFA PANEL 1200 X 450	46.0
5105012	TIFA PANEL 1200 X 300	37.0
5110064	TIFA PANEL 900 X 900	63.0
5110029	TIFA PANEL 900 X 600	46.0
5110065	TIFA PANEL 900 X 450	36.0
5110027	TIFA PANEL 900 X 300	29.0
5110030	TIFA PANEL 600 X 600	35.0
5110031	TIFA PANEL 600 X 300	19.0



## Plastic Plugs & Steel Tie Hole Sleeves

Plastic Plugs are used to seal the tie holes that are not in use. Steel Tie Hole Sleeves are inserted into each tie hole to provide a neat finish around each hole and also to protect the plywood edges around the hole.

CODE	DESCRIPTION	MASS(kg)
5110301	STEEL TIE HOLE SLEEVE 26 (21 BOARD)	0.01
5110300	PLASTIC PLUG (21/15)	0.01



## External Corner Panels

Tifa External Corner Panels are used to connect two Tifa Panels together at 90° to each other at the external corners of a concrete wall.

CODE	DESCRIPTION	MASS(kg)
5110006	TIFA EXTERNAL CORNER PANEL 2700	41.0
5110081	TIFA EXTERNAL CORNER PANEL 1500	25.2
5110020	TIFA EXTERNAL CORNER PANEL 1200	22.0
5110028	TIFA EXTERNAL CORNER PANEL 900	10.5



## Internal Corner Panels

Tifa Internal Corner Panels are used to connect two Tifa Panels together at 90° to each other at the internal corners of a concrete wall.

CODE	DESCRIPTION	MASS(kg)
5110014	TIFA INTERNAL CORNER PANEL 2700 X 300 X 300	130.0
5110025	TIFA INTERNAL CORNER PANEL 1500 X 300 X 300	91.0
5110026	TIFA INTERNAL CORNER PANEL 1200 X 300 X 300	65.0
5110017	TIFA INTERNAL CORNER PANEL 900 X 300 X 300	39.0



## Hinged Splay Panels

Tifa Hinged Splay Panel is used to connect two Tifa Panels together at various angles on both the internal and external faces of concrete walls.

Tifa Hinged Splay Panels range between 70° and 250°.

CODE	DESCRIPTION	MASS(kg)
5110013	TIFA HINGED SPLAY PANEL 2700 X 300 X 300	126.9
5125021	TIFA HINGED SPLAY PANEL 1500 X 300 X 300	74.8
5105014	TIFA HINGED SPLAY PANEL 1200 X 300 X 300	61.8
5110070	TIFA HINGED SPLAY PANEL 900 X 300 X 300	44.9



# Clamps & Alignment

## Fixed Clamps

Tifa Fixed Clamps and Tifa Crab Clamps are used to connect two Tifa Panels side by side.

CODE	DESCRIPTION	MASS(kg)
5110001	TIFA FIXED CLAMP	3.7
5125055	TIFA CRAB CLAMP	3.0



## Adjustable Clamps

Tifa Universal Clamps are adjustable and connect Tifa and Tifa-Lite Panels together and may substitute any other type of Tifa or Tifa-Lite Clamp. They are further used where timber infills are placed between Tifa Panels.

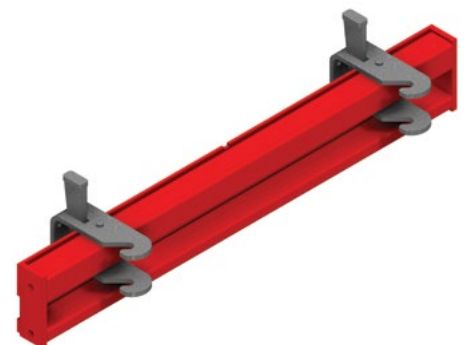
CODE	DESCRIPTION	MASS(kg)
5110170	TIFA & TIFA-LITE UNIVERSAL CLAMP (STEEL CAST TYPE)	7.1



## Alignment Bars

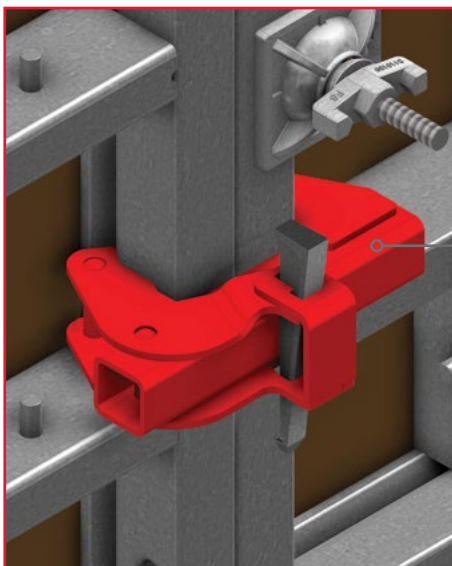
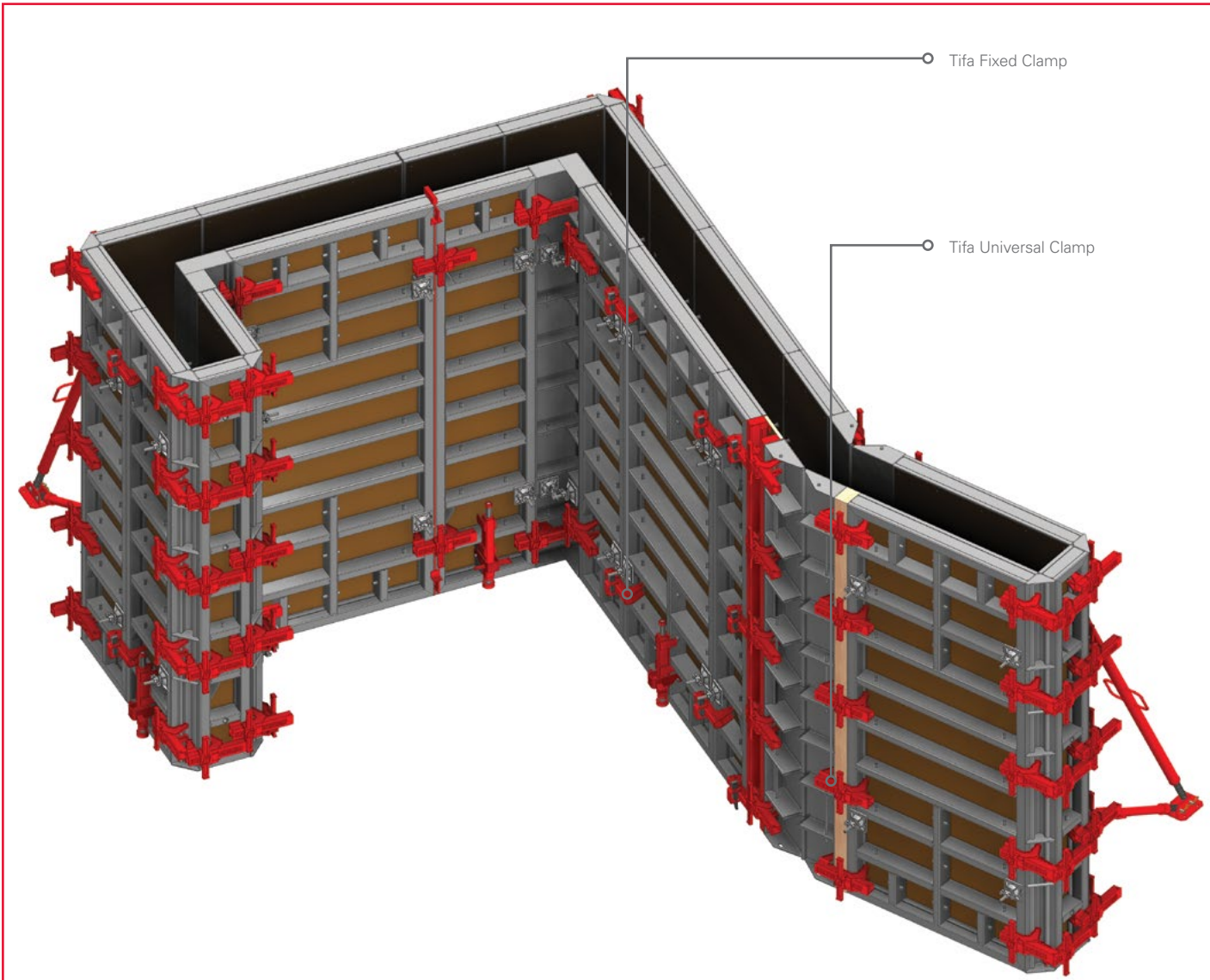
Tifa Alignment Bars are used to stiffen the Panel joints when lifting and rotating gang-formed Panels from a horizontal to a vertical position. They are also used in conjunction with the HD Waler Hook Bolt to secure the Tifa Panels to the Tifa Single Sided Support Frames.

CODE	DESCRIPTION	MASS(kg)
5110135	TIFA ALIGNMENT BAR 1220	15.3
5110015	TIFA ALIGNMENT BAR 920	11.5
5110034	TIFA ALIGNMENT BAR CLAMP	1.9

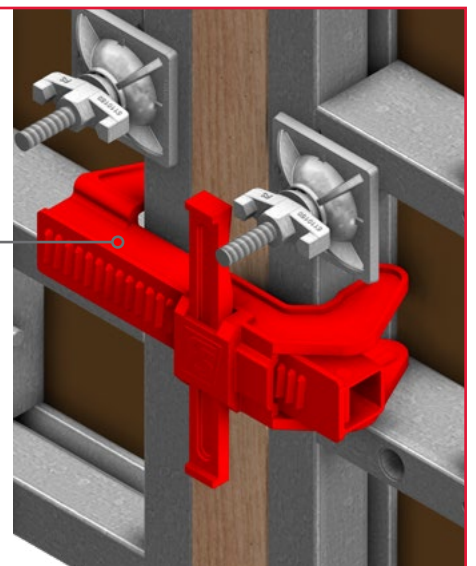




# Application - Clamps



Tifa Fixed Clamp joining two Tifa Panels



Tifa Universal Clamp over a Timber Infill

# Stripping & Infills

## Stripping Bars & Stripping Bar Extensions

The 8mm thick Tifa Stripping Bars, with a thickened end hammering plate, are used to facilitate the stripping of Tifa Panels in confined areas. Tifa Stripping Bar Extensions, without the end hammering plate, are used to extend the length of the stripping bars within the Panels.



CODE	DESCRIPTION	MASS(kg)
5110038	TIFA STRIPPING BAR 2750	24.5
5110039	TIFA STRIPPING BAR 2450	22.0
5110040	TIFA STRIPPING BAR 1550	14.6
5110041	TIFA STRIPPING BAR 1250	10.5
5110049	TIFA STRIPPING BAR 950	8.5
5110050	TIFA STRIPPING BAR EXTENSION 2700	24.5
5110051	TIFA STRIPPING BAR EXTENSION 2400	22.0
5110082	TIFA STRIPPING BAR EXTENSION 1500	12.3
5110052	TIFA STRIPPING BAR EXTENSION 1200	12.1
5110053	TIFA STRIPPING BAR EXTENSION 900	8.1

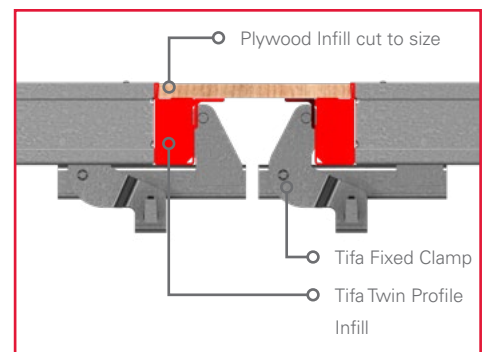
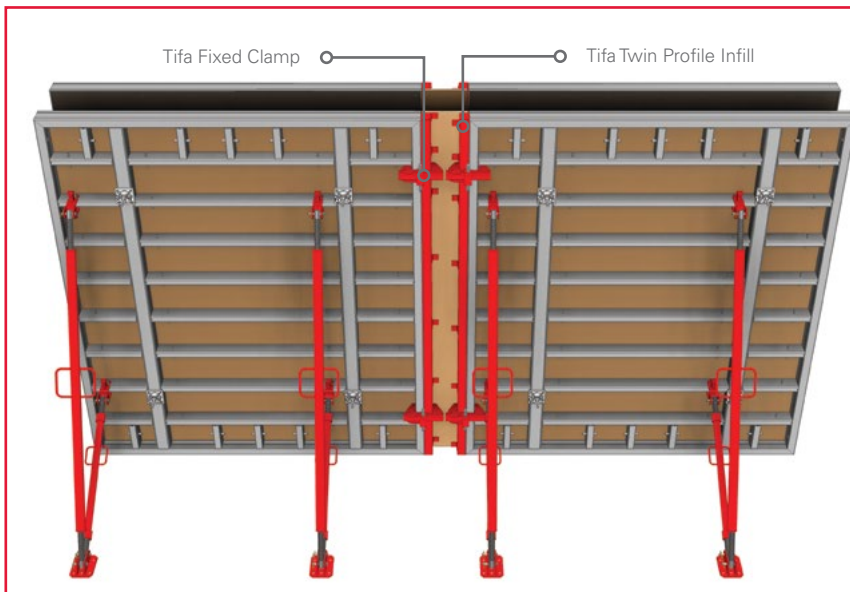
## Twin Profile Infills

Tifa Twin Profile Infills are used to support a 21mm plywood infill between two Tifa Panels. The plywood is secured in position using Ø5mm x 20 mm long self tapping screws.



CODE	DESCRIPTION	MASS(kg)
5110130	TIFA TWIN PROFILE INFILL 2700	25.0
5110083	TIFA TWIN PROFILE INFILL 1500	13.8
5110131	TIFA TWIN PROFILE INFILL 1200	11.0
5110132	TIFA TWIN PROFILE INFILL 900	8.0

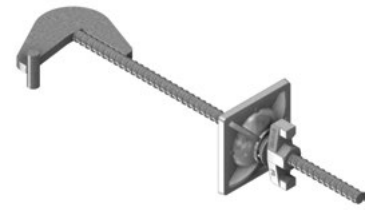
## Application - Infills



## Stop-end Hooks

Tifa Stop-end Hooks in conjunction with the Dywidag Combi Wing Nut are used to secure Multi-Form Walers in position at the stop-end of a concrete wall.

CODE	DESCRIPTION	MASS(kg)
5110206	TIFA STOP-END HOOK	1.6



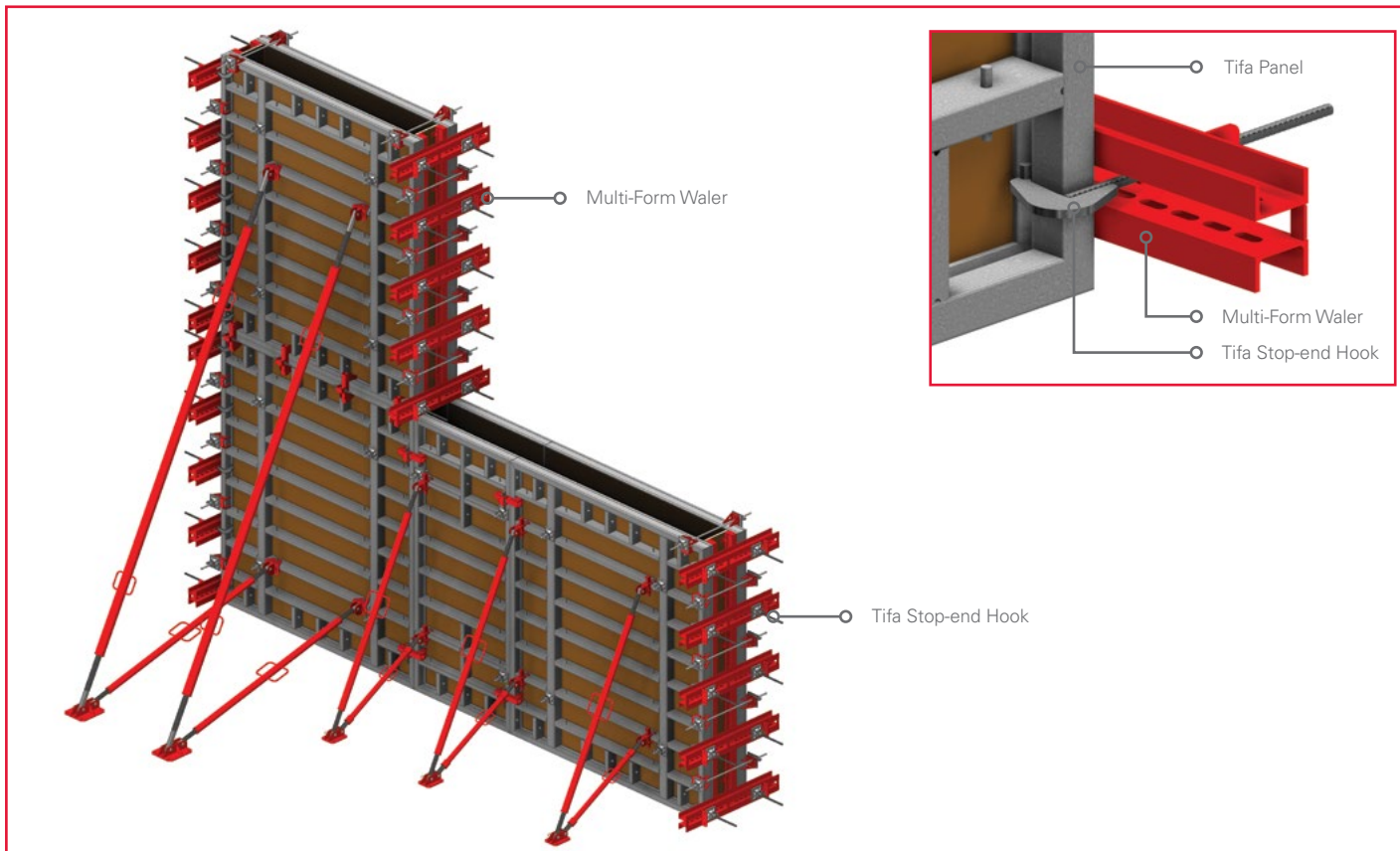
## Walers

Multi-Form Walers are used as horizontal support in conjunction with Tifa Stop-end Hooks at the stop-end of a concrete wall.

CODE	DESCRIPTION	MASS(kg)
1605074	MULTI-FORM WALER 2400	48.7
1605073	MULTI-FORM WALER 1800	36.5
1605010	MULTI-FORM WALER 1500	30.3
1605072	MULTI-FORM WALER 1200	24.2
1605071	MULTI-FORM WALER 900	18.4
1605025	MULTI-FORM WALER 600	11.9



## Application - Stop-ends

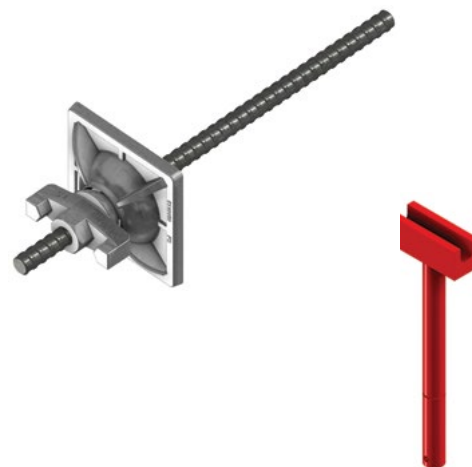


## Dywidag Ties

Ø15mm Dywidag Bars with Dywidag Combi Wing Nuts are to be used with the Tifa System. Dywidag Bars are available in lengths of 500mm increments up to a maximum length of 6000mm.

The Dywidag Spanner 15mm is used to prevent the tie from turning when tightening / loosening the Combi Wing Nuts.

CODE	DESCRIPTION	MASS(kg)
5405095	DYWIDAG BAR 15MM DIA 6000 (ORANGE)	8.7
5405094	DYWIDAG BAR 15MM DIA 5500 (GREY)	8.0
5405093	DYWIDAG BAR 15MM DIA 5000 (BROWN)	7.2
5405092	DYWIDAG BAR 15MM DIA 4500 (PINK)	6.5
5405089	DYWIDAG BAR 15MM DIA 4000 (RED OXIDE)	5.8
5405088	DYWIDAG BAR 15MM DIA 3500 (PURPLE)	5.1
5405087	DYWIDAG BAR 15MM DIA 3000 (BLUE)	4.3
5405086	DYWIDAG BAR 15MM DIA 2500 (GREEN)	3.6
5405085	DYWIDAG BAR 15MM DIA 2000 (BLACK)	2.9
5405079	DYWIDAG BAR 15MM DIA 1500 (WHITE)	2.2
5405078	DYWIDAG BAR 15MM DIA 1000 (GREY)	1.5
5110150	DYWIDAG COMBI WING-NUT 15MM DIA	1.6
5405098	DYWIDAG SPANNER 15MM DIA	1.1



## PVC Ferrule Tubes & Cones

PVC Ferrule Tubes and Cones allow the easy removal of the Dywidag Ties.

CODE	DESCRIPTION	MASS(kg)
2960806	PVC FERRULE TUBE 22 ID & 25 OD (PER M)	0.04
5520382	PVC FERRULE TUBE CONE 22 OD (1000/BAG)	4.26



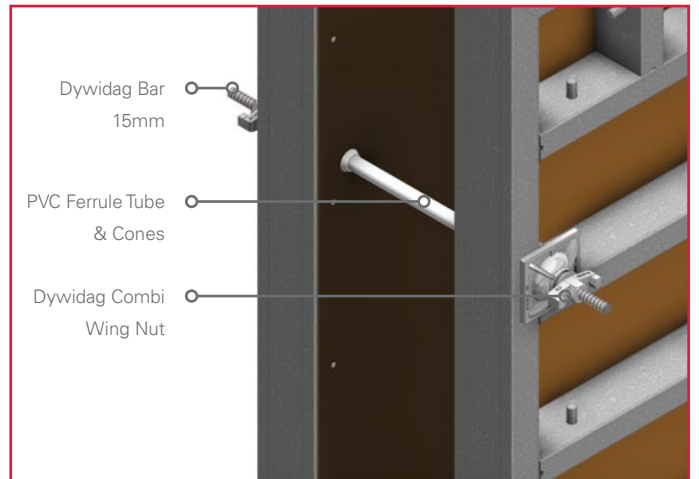
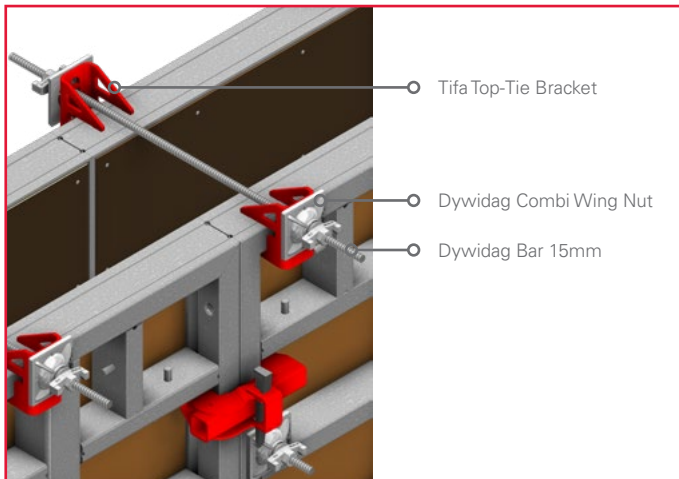
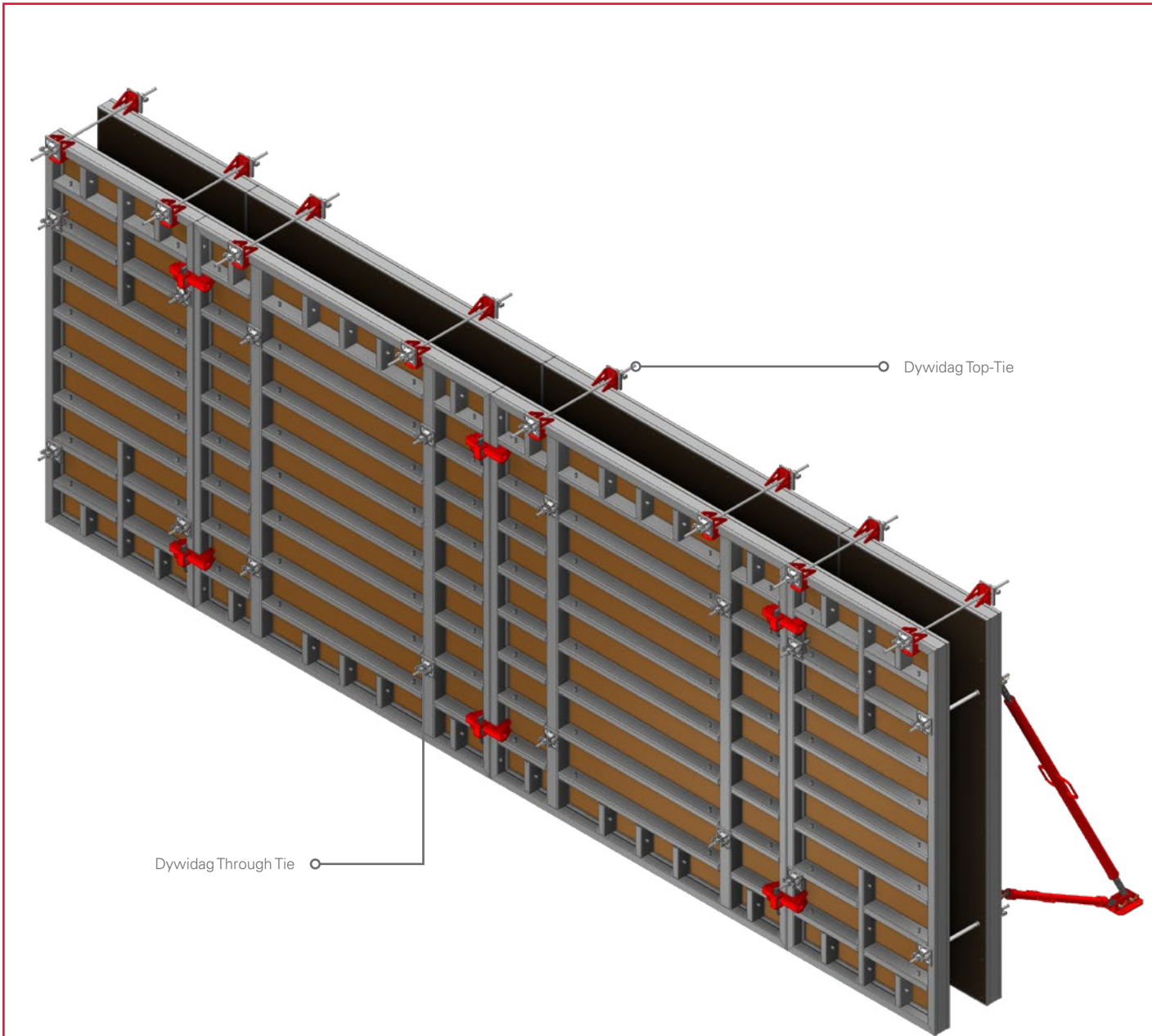
## Top-Tie Brackets

Tifa Top-Tie Brackets fit onto the periphery of Tifa Panels and facilitate Ties around the edges of the Panels instead of through the standard Tie hole positions.

CODE	DESCRIPTION	MASS(kg)
5125028	TIFA TOP-TIE BRACKET	3.0



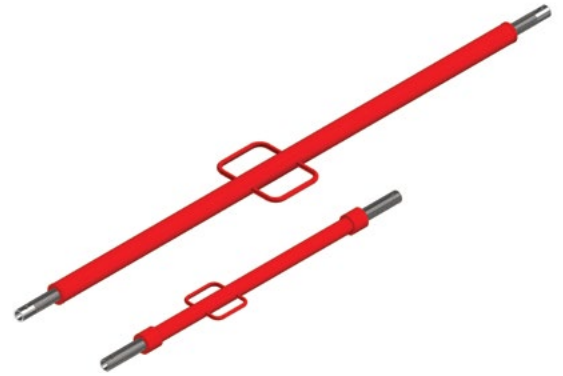
## Application - Ties



## Push-Pull Props

Push-Pull Props and Push-Pull Prop Ties are used to plumb the Tifa Panels.

CODE	DESCRIPTION	MASS(kg)
5110022	PUSH-PULL PROP 5700	63.3
5110201	PUSH-PULL PROP 4200	23.0
5110024	PUSH-PULL PROP 3100	16.6
5110007	PUSH-PULL PROP 2500	14.0
5110100	PUSH-PULL PROPTIE	8.4



## Prop Connecting Brackets

Tifa Prop Connecting Brackets are secured to the Ø16mm attachment pins located along the stiffeners of Tifa Panels in order to attach Push-Pull Props up to 4200mm in length to the Panel.

CODE	DESCRIPTION	MASS(kg)
5110012	TIFA PROP CONNECTING BRACKET	2.5



## Prop Connecting Brackets HD

Tifa Prop Connecting Brackets HD are secured to the Ø16mm attachment pins located along the stiffeners of Tifa Panels in order to attach a 5700 Push-Pull Prop to the Panels.

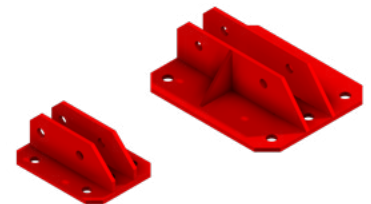
CODE	DESCRIPTION	MASS(kg)
5110057	TIFA PROP CONNECTING BRACKET HD	5.0



## Swivel Feet

Push-Pull Prop Swivel Feet are used at the base of the Push-Pull Prop assemblies to connect the Push-Pull Props together and facilitate the fixing down of the Push-Pull Prop assembly.

CODE	DESCRIPTION	MASS(kg)
5110021	PUSH-PULL PROP SWIVEL FOOT 300 X 250	7.6
5110008	PUSH-PULL PROP SWIVEL FOOT 200 X 150	3.4



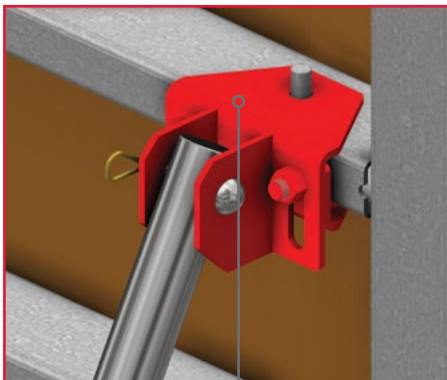
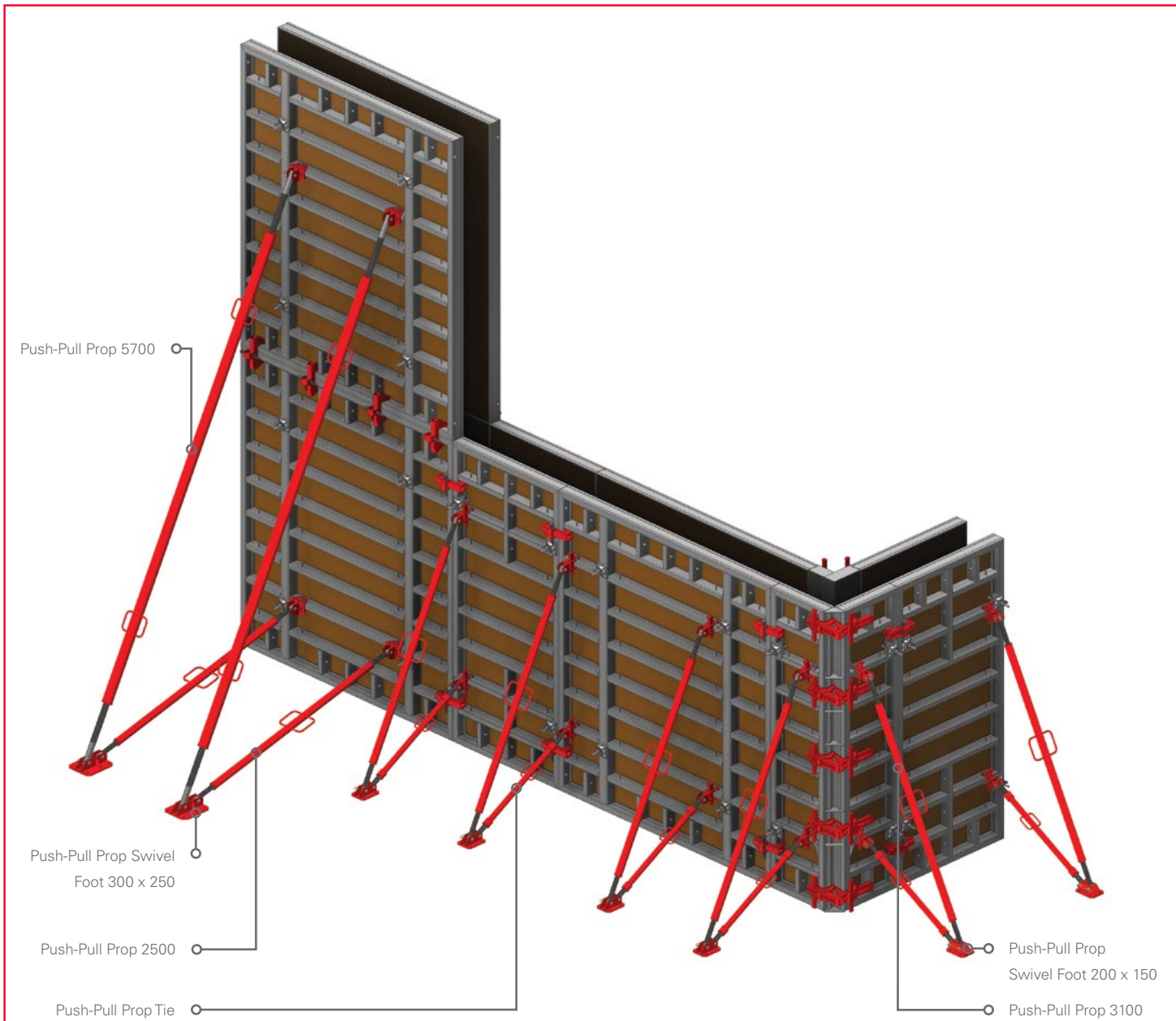
## Pins & R-Clips

Connecting Pins and R-Clips are used to secure the ends of the Props in position.

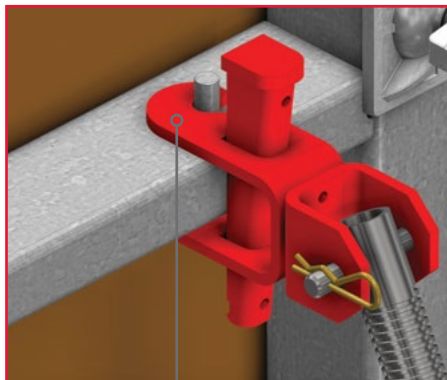
CODE	DESCRIPTION	MASS(kg)
5110090	CONNECTING PIN 16 X 90	0.2
5110059	R-CLIP 70 X 3	0.01



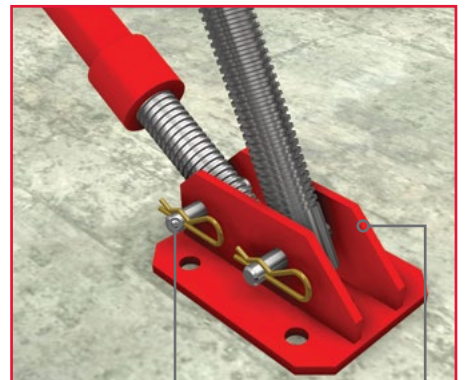
## Application - Propping



Tifa Prop Connecting Bracket HD



Tifa Prop Connecting Bracket



Connecting Pin & R-Clip

Push-Pull Prop Swivel Foot 200 x 150

## Access Bracket

Tifa Access Brackets are secured to the Ø16mm Attachment Pins, located along the stiffeners of Tifa Panels in order to support access platforms, toe-boards and guardrails at the required working height.

CODE	DESCRIPTION	MASS(kg)
5110010	TIFA ACCESS BRACKET	12.0



## Universal Access Brackets

Tifa Universal Access Brackets are attached to Tifa or Tifa-Lite Panels on the Ø16mm Attachment Pins that are found on both systems to support access platforms, toe-boards and guardrails at the required working height. The sliding foot can be locked into 3 different positions to ensure that it rests on the Panel's framework.

CODE	DESCRIPTION	MASS(kg)
5110169	TIFA UNIVERSAL ACCESS BRACKET	17.5



## Access End Gate

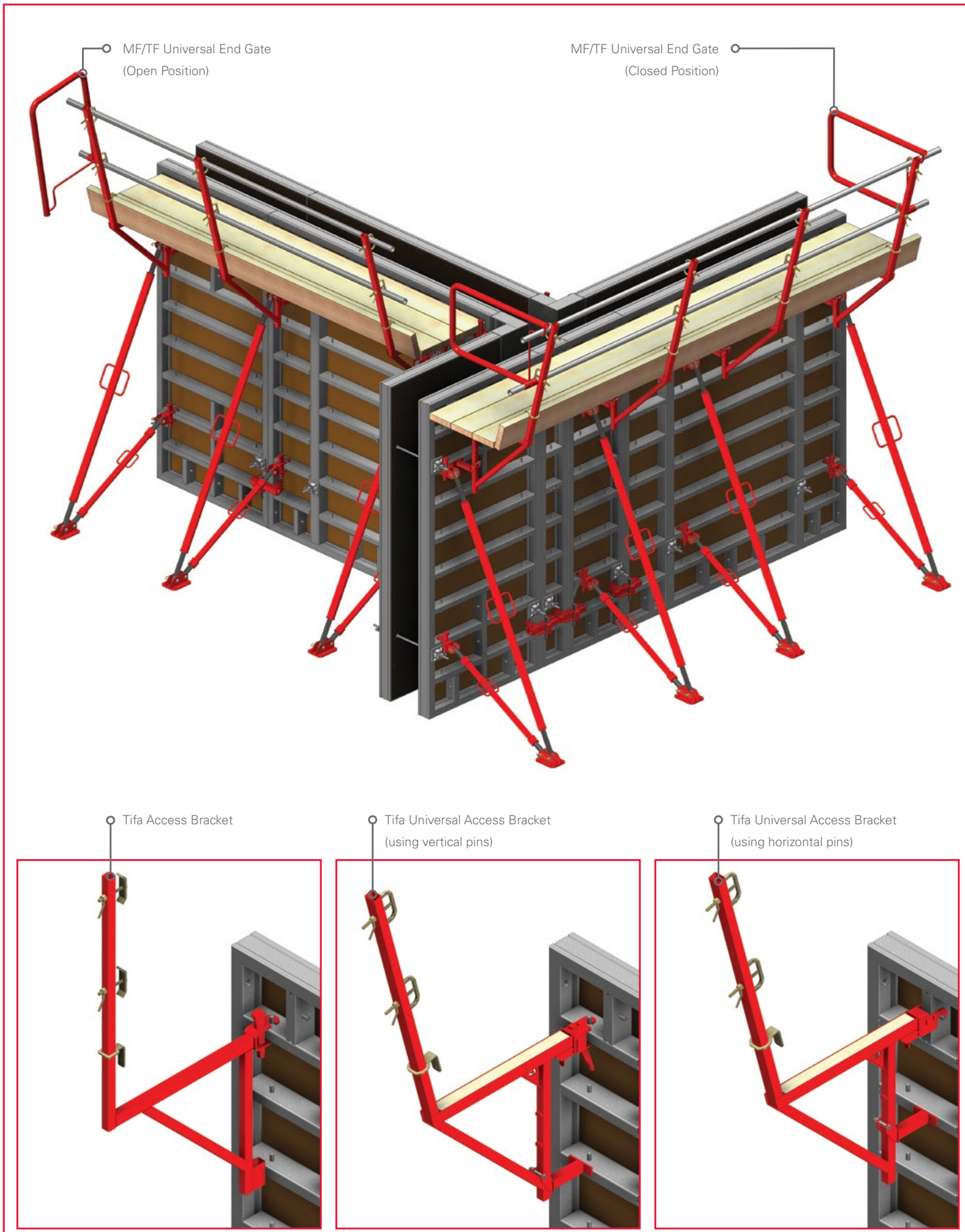
The MF/TF Universal End Gate is secured to the Scaffold Tube Hand and Knee Rails as a guardrail at the ends of a working platform.

CODE	DESCRIPTION	MASS(kg)
1126028	MF/TF UNIVERSAL END GATE	8.5





## Application - Access



## Lifting Beams

Universal Lifting Beams are used in conjunction with the Tifa Lifting Clamps and Chain Slings to lift the Tifa system either as individual Panels or in gang-forms up to a maximum of 26m<sup>2</sup>.

CODE	DESCRIPTION	MASS(kg)
5110101	UNIVERSAL LIFTING BEAM 3300	175.0
5110103	UNIVERSAL LIFTING BEAM SAFETY CHAIN SHACKLE 4.75 TON (SOLD SEPARATELY, SALES ONLY)	1.1
5110105	UNIVERSAL LIFTING BEAM 10MM GRADE 8 CHAIN X 1250 (SOLD SEPARATELY, SALES ONLY)	2.6
5110106	UNIVERSAL LIFTING BEAM 16MM GRADE 8 OBLONG LINK (SOLD SEPARATELY, SALES ONLY)	0.7



## Lifting Clamps

Tifa Lifting Clamps are secured to the periphery of the Tifa Panels to receive the Chain Slings of the Universal Lifting Beam.

CODE	DESCRIPTION	MASS(kg)
5125091	TIFA CRANE LIFTING CLAMP	7.7



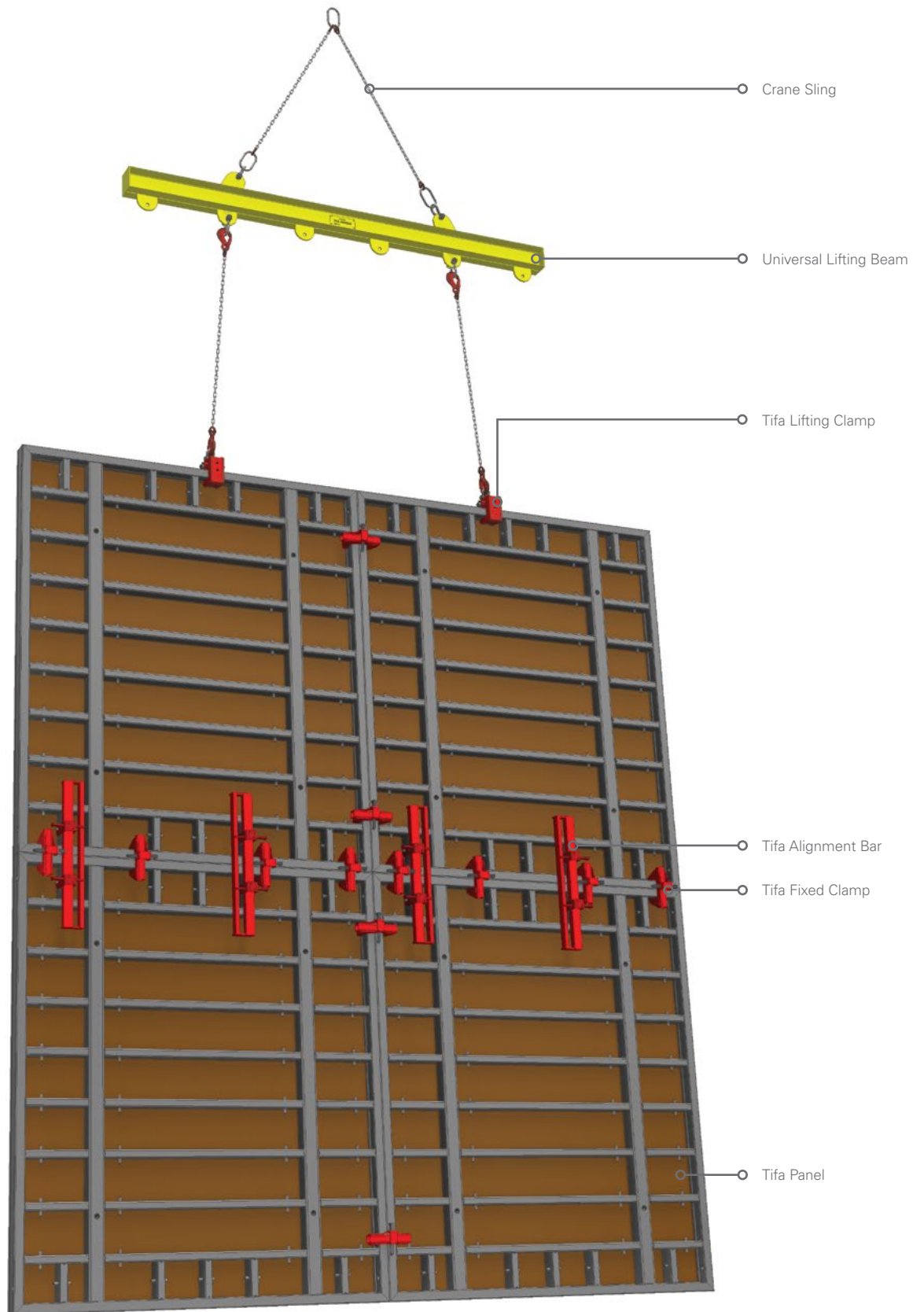
## Levelling Jacks

Tifa Levelling Jacks are used to level the Tifa Panels in either a single Panel or gang-form Panel arrangement. The Tifa Levelling Jack is fitted to the bottom of the Tifa Panels using an Alignment Bar Clamp.

CODE	DESCRIPTION	MASS(kg)
5110203	TIFA LEVELLING JACK	10.5



## Application - Lifting

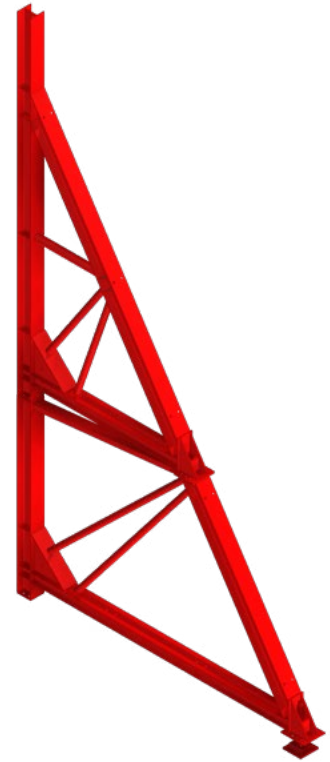


# Single Sided Walls

## Support Frames

Tifa Support Frames are used to provide vertical support for Tifa Panels used in a Single Sided application, eliminating the need for through ties.

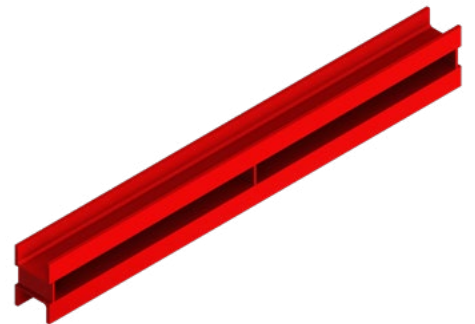
CODE	DESCRIPTION	MASS(kg)
5110087	TIFA SUPPORT FRAME 3700	300.0
5110088	TIFA SUPPORT FRAME EXTENSION 1900	150.0



## Support Frame Walers

Tifa Support Frame Walers are used to hold the Support Frames down in position.

CODE	DESCRIPTION	MASS(kg)
5110089	TIFA SUPPORT FRAME WALER 2400	55.0
5110091	TIFA SUPPORT FRAME WALER 1200	28.0



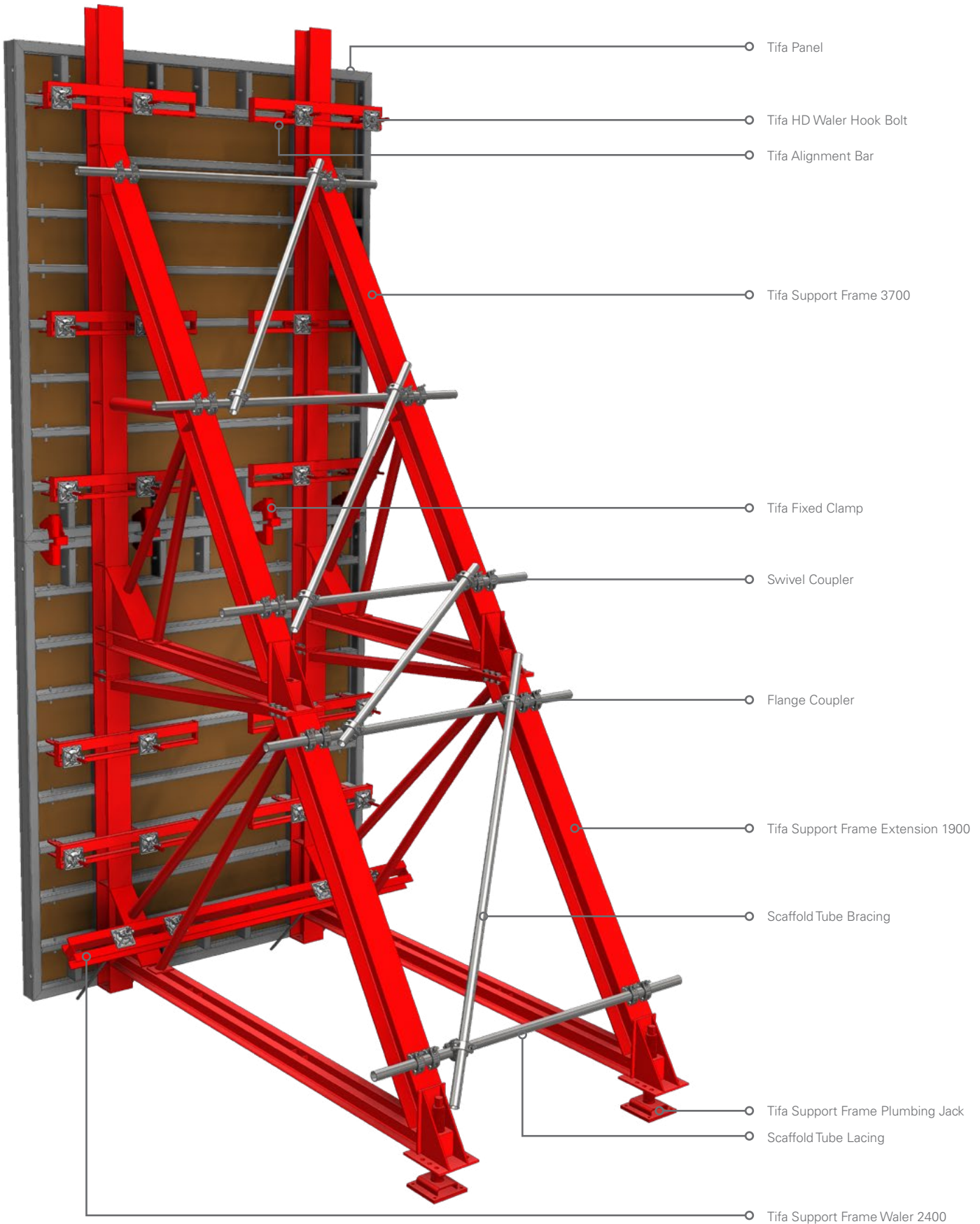
## HD Waler Hook Bolts

Tifa HD Waler Hook Bolts are used in conjunction with Tifa Alignment Bars to secure Tifa Panels to the Tifa Support Frames.

CODE	DESCRIPTION	MASS(kg)
5110124	TIFA HD WALER HOOK BOLT	2.0



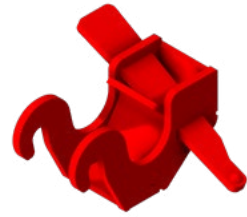
## Application - Single Sided



## Waler Brackets

Tifa Waler Brackets are used to connect scaffold tube to enable the fixing of other types of access brackets, props, bracing, stays etc.

CODE	DESCRIPTION	MASS(kg)
5110110	TIFA WALER BRACKET	2.0



## Scaffold Tubes

Scaffold Tubes are used for Lacing and Bracing on Tifa Support Frames as well as Handrail and Knee-rails on Tifa Access Brackets.

CODE	DESCRIPTION	MASS(kg)
1905151	SCAFFOLD TUBE 6000	22.7
1905098	SCAFFOLD TUBE 5500	20.5
1905097	SCAFFOLD TUBE 5000	18.6
1905096	SCAFFOLD TUBE 4500	16.7
1905095	SCAFFOLD TUBE 4000	14.9
1905094	SCAFFOLD TUBE 3500	13.0
1905093	SCAFFOLD TUBE 3000	11.2
1905092	SCAFFOLD TUBE 2500	9.3
1905091	SCAFFOLD TUBE 2000	7.4
1905090	SCAFFOLD TUBE 1500	5.6
1905089	SCAFFOLD TUBE 1000	3.7
1905088	SCAFFOLD TUBE 500	1.9



## Couplers

Various Couplers are used on the Tifa Support Frames for lacing and bracing.

CODE	DESCRIPTION	MASS(kg)
1905059	COUPLER SWIVEL 50 X 50	1.5
1905050	COUPLER SWIVEL HALF 50	0.5
1905016	COUPLER 90 DEGREE 50 X 50	1.5
1905067	COUPLER FLANGE TYPE	1.1



## International Branches

### Kenya - Nairobi

Plot 15081/5/27 Old Airport North Road, Nairobi, Kenya  
+254 724 004 781 / +254 718 220 412

### Ghana - Accra

Plot 29, Off Spintex Road, Tema Motorway Industrial Area, Accra, Ghana  
+233 303 973 722 / +233 208 681 651

### Mauritius - Port Louis

72201, Petit Camp, Phoenix (Near Bagatelle Dam), Mauritius  
+230 286 6176 / +230 5940 2551

### Mozambique - Maputo

Belulane, Parcella 15988, Boane Matola Rio, Maputo, Mozambique  
+258 84 306 6530 / +258 84 163 8905

### Mozambique - Palma

N'Cumbi Road No. R762, Palma, Mozambique  
+258 86 109 6443 / +258 84 774 3788

### Mozambique - Pemba

Estrada Nacional EN106, Muxara Pemba, Cabo Delgado, Mozambique  
+258 84 312 4146 / +258 84 774 3788

### Namibia - Swakopmund

608 Nelson Mandela Avenue Swakopmund, Namibia  
+264 64 46 3677 / +264 64 46 2720

### Namibia - Windhoek

Cnr Nickle & Michelle, McClean Street, Prosperita, Windhoek, Namibia  
+264 61 425 350 / +264 81 164 9806

### Nigeria - Lagos

Block 101, Plot 21, Adewunmi Adebimpe Drive, Off Marwa Bus Stop, Lekki 1, Lagos, Nigeria  
+234 813 860 5060 / +234 806 484 0408

### Swaziland - Matsapha

Lot 814, King Mswati III Avenue Matsapha, Swaziland  
+268 25 18 8360 / +268 7668 5337

### Tanzania - Dar es Salaam

Cnr Mwaikibaki Road & Kilimani Close Plot 1034/5 Mbezi Kawe Dar es Salaam, Tanzania  
+255 75 638 8115 / +255 74 299 8022

### Zambia - Kitwe

Plot 16, Karibu Business Park Kitwe, Zambia  
+260 966 880 009 / +260 966 923 854

### Zambia - Lusaka

Plot 397 A/3/B Kufue Road Lusaka, Zambia  
+260 968 491 061 / +260 966 923 854

## South African Branches

### Ballito

Labora Terra Industrial Park Shakas Rock Road, Umhlali Ballito, KwaZulu Natal  
+27 (0) 32 947 9430

### Bloemfontein

26 Tibbie Visser Street Estoire Small Holdings District Bloemfontein, Free State  
+27 (0) 51 432 5555

### Cape Town

8 Rondevallei Road, Hagley Kuilsrivier, Western Cape  
+27 (0) 21 528 6500

### Durban South

16 Stroude Place, Isipingo KwaZulu Natal  
+27 (0) 31 902 2677

### East London

5 Ray Craib Crescent Beacon Bay, Eastern Cape  
+27 (0) 43 748 2558

### Gauteng

Poplar Crescent, Lords View Industrial Park, Klipfontein Chloorkop X66, Gauteng  
+27 (0) 10 601 6313

### George

10 Ring Road, George Industrial George, Western Cape  
+27 (0) 44 695 0294

### Johannesburg

181 Barbara Road Elandsfontein, Gauteng  
+27 (0) 11 842 4000

### Kathu

33 Kalk Street, Industrial Area Kathu, Northern Cape  
+27 (0) 53 723 2194

### Kimberley

Cnr Central & Sutherland St. No 5 Beaconsfield, Kimberley Northern Cape  
+27 (0) 53 723 2194

### Margate

Industrial Road, Margate KwaZulu Natal  
+27 (0) 39 317 1708

### Nelspruit

Erf 379, Rocky Drift Mpumalanga  
+27 (0) 13 758 1036

### Newcastle

6 Schonland Street Riverside Industrial Area Newcastle, KwaZulu Natal  
+27 (0) 34 375 7697

### Polokwane

62 Goud Street, Laboria Polokwane, Limpopo  
+27 (0) 15 293 0450

### Port Elizabeth

4 Kendle Street, Neave Industrial Area, Eastern Cape  
+27 (0) 41 453 2317

### Richards Bay

111 Alluminia Alley Alton Industrial North KwaZulu Natal  
+27 (0) 35 751 1140

### Rustenburg

3 Ferro Street, Rustenburg North West Province  
+27 (0) 14 538 2540

### Vereeniging

Cnr Telford & Van Riebeeck Street Duncanville, Gauteng  
+27 (0) 16 455 1611

### Witbank

TP66 Geodesic Crescent Marelden Ext 3, Techno Park Witbank, Mpumalanga  
+27 (0) 13 690 2833

## Head Office

181 Barbara Road, Elandsfontein, Gauteng  
PO Box 669, Isando, 1660  
Tel +27 (0) 11 842 4000



Waco Africa / Head Office: PO Box 669, Isando, 1600.  
181 Barbara Road, Elandsfontein. Tel: 011 842 4000



Technical Advice Centre 0800 20 50 29 / 011 842 4011  
[www.formscaff.com](http://www.formscaff.com)